



КАТАЛОГ ЗАПЧАСТЕЙ

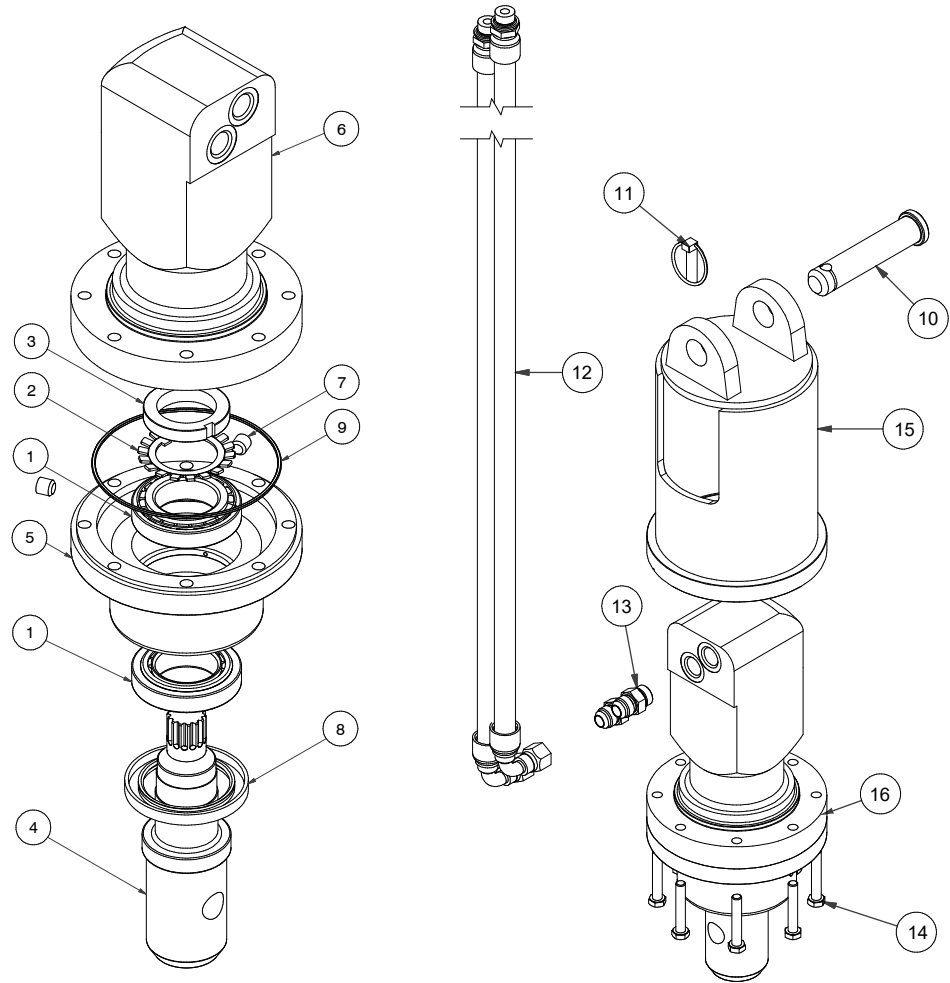
ГИДРОВРАЩАТЕЛИ PDD – PD50

с 2013 года

СОДЕРЖАНИЕ

PDD	3
PD3/PD4/PD5	5
PD6/PD7	7
PD8/PD10	9
PD12	12
PD15/PD18/PD22	14
PD25/PD30/PD40/PD50	17

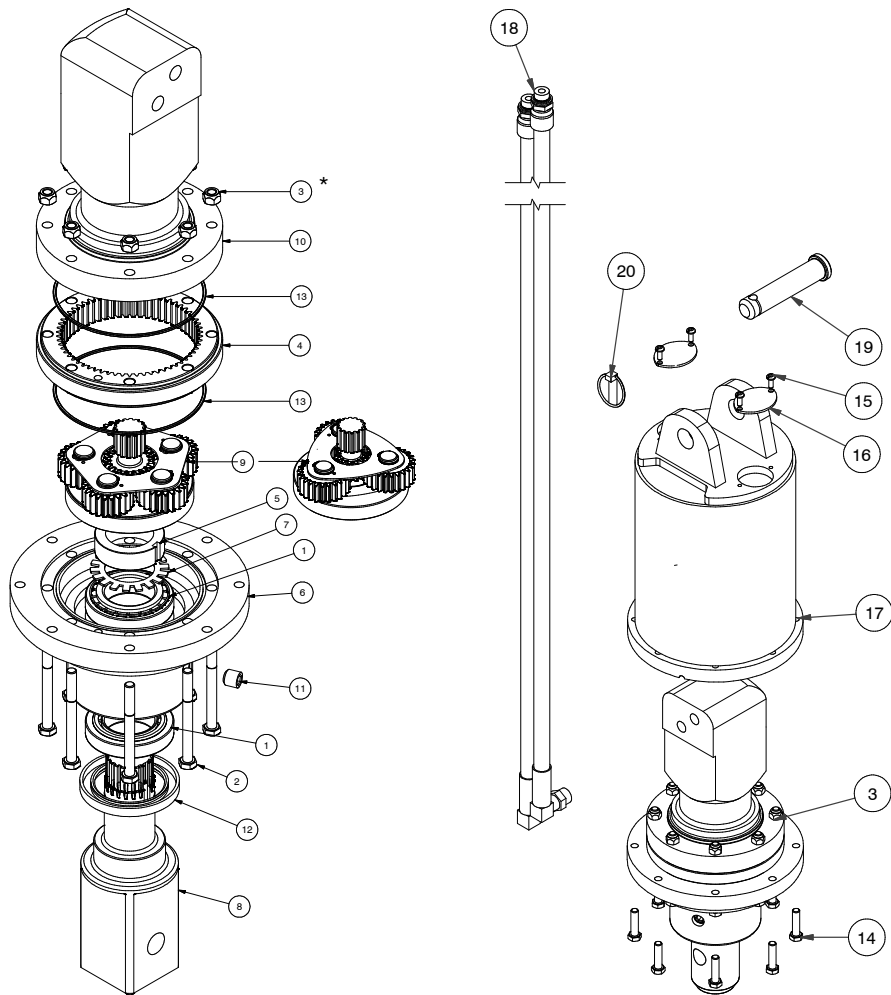
PDD



PDD PARTS LIST

ITEM	QTY	PART NUMBER	DESCRIPTION
1	2	BE-000021	BEARING TAPERED ROLLER
2	1	GB-003175	LOCKING TAB
3	1	GB-002124	LOCKNUT
4	1	GB-003125	SHAFT D65
5	1	GB-003126	OUTPUT HOUSING
6	1	MO-000029	EATON 2K BELL MOTOR (SUIT PDD - POST AUGUST 2013 ONLY)
7	2	PP-000004	PRESSURE PLUG
8	1	SE-000002	SEAL
9	1	SE-000012	O-RING
10	1	PI-000014	PIN
11	1	PI-000032	LYNCH PIN
12	1	HS-000202	HOSE HYD - 2.2M LESS COUPLING
13	2	HA-000028	NIPPLE
14	8	FA-000009	BOLT HEX
15	1	HO-000213	HOOD BELL MOTOR PDD-PDX3

PD3 / PD4 / PD5

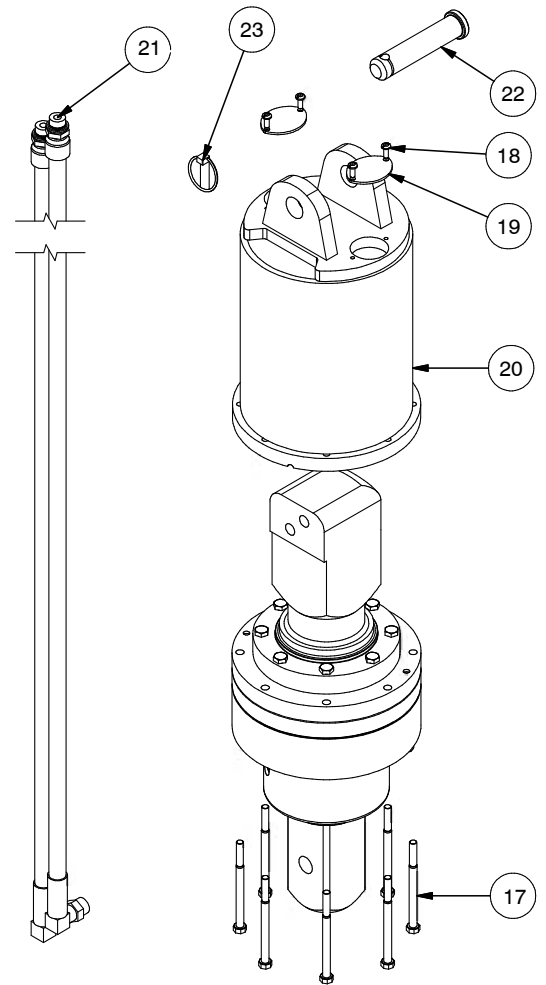
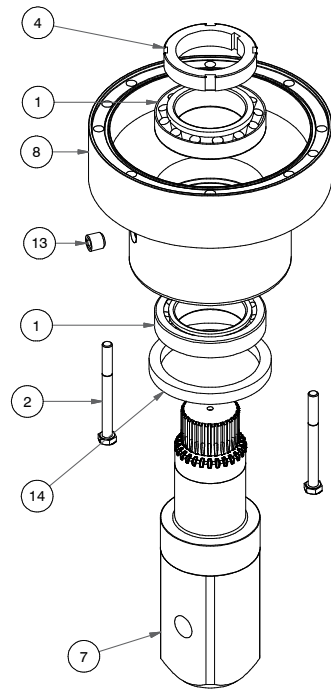
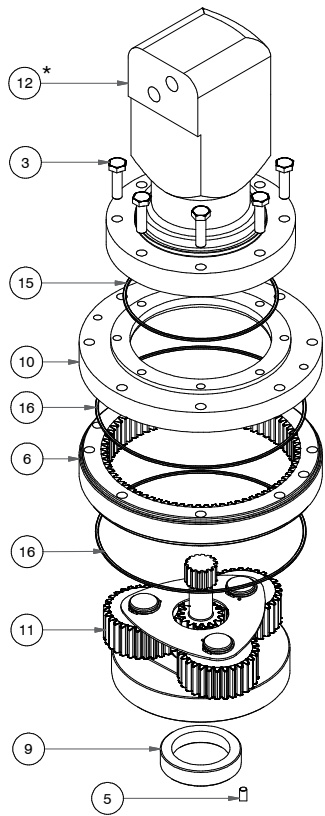


PD3 / PD4 / PD5 - PARTS LIST

ITEM	QTY	PART NUMBER	DESCRIPTION
1	2	BE-000021	BEARING TAPERED ROLLER
2	8	FA-000002	BOLT HEX
3	8	FA-000097	NUT NYLOC
4	1	GB-000011	RING GEAR
5	1	GB-000159	LOCKNUT WITH BUILT IN SPACER
6	1	GB-000173	OUTPUT HOUSING - PHB STANDARD
7	1	GB-000234	LOCKING TAB - SHAFT
8	1	GB-000163	SHAFT D65 PD3/PD4
	1	GB-000242	SHAFT D65 PD5
9	1	GB-001329	GEARSET - SUIT PD3/PD4
	1	GB-001330	GEARSET - SUIT PD5
10	1	MO-000022	MOTOR HYD 2K BELL MOTOR - SUIT PD3
	1	MO-000029	MOTOR HYD 2K BELL - SUIT PD4/PD5
*	1	MC-000006	MOTOR SEAL KIT (набор уплотнений мотора)
11	1	PP-000001	PRESSURE PLUG
12	1	SE-000002	SEAL
13	2	SE-000012	O-RING
14	8	FA-000007	BOLT HEX
15	4	FA-000112	SCREW PAN METAL
16	2	HO-000016	HOOD CAP - TYRE 2 SCS
17	1	HO-000202	HOOD - PD3/PD4
		HO-000396	HOOD - PD5
18	1	HS-000081	HOSE HYDE
19	1	PI-000014	PIN
20	1	PI-000032	LYNCH PIN

* MOTOR SEAL KITS NOT SHOWN ON DIAGRAM

PD6 / PD7

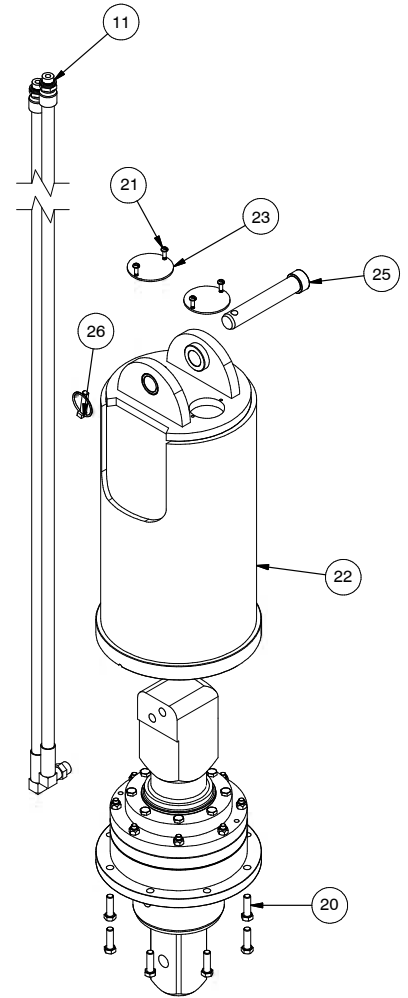
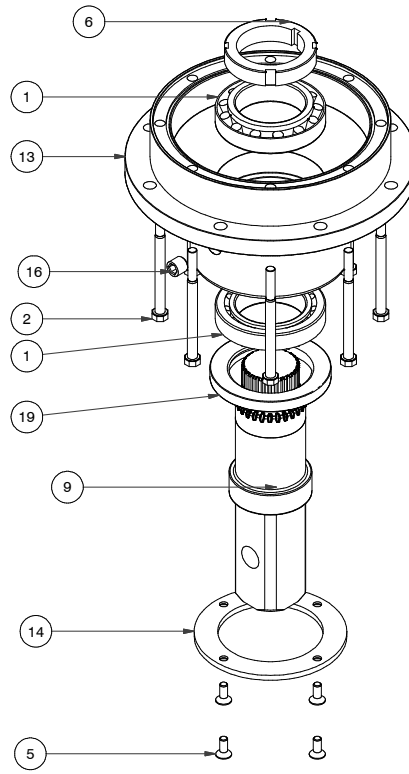
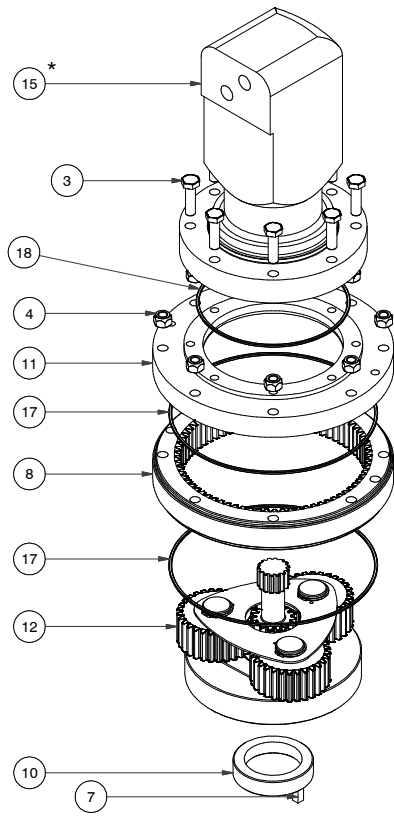


PD6 / PD7 PARTS LIST

ITEM	QTY	PART NUMBER	DESCRIPTION
1	2	BE-000024	BEARING TAPERED ROLLER
2	2	FA-000002	BOLT HEX
3	8	FA-000208	BOLT HEX
4	1	GB-000004	LOCK NUT
5	1	GB-000005	KEY - LOCK
6	1	GB-000008	RING GEAR - ALL RATIOS
7	1	GB-000487	SHAFT
8	1	GB-000517	OUTPUT HOUSING - PD6/7
9	1	GB-000611	SPACER - (SUIT NO CIRCLIP)
10	1	GB-001305	INPUT HOUSING - 2K BELL MOTOR
11	1	GB-001331	GEARSET - SUITS PD6
	1	GB-001449	GEARSET - SUITS PD7
12	1	MO-000022	MOTOR HYD 2K BELL MOTOR - SUITS PD6
	1	MO-000029	MOTOR HYD 2K BELL MOTOR - SUITS PD7
*	1	MC-000006	MOTOR SEAL KIT (набор уплотнений мотора)
13	1	PP-000001	PRESSURE PLUG
14	1	SE-000006	SEAL
15	1	SE-000012	O-RING
16	2	SE-000013	O-RING
17	8	FA-000004	BOLT HEX
18	4	FA-000112	SCREW PAN METAL
19	2	HO-000016	HOOD CAP - TYPE 2 SCS
20	1	HO-000396	HOOD CAP - PD6/PD7
21	1	HS-000081	HOSE HYDE
22	1	PI-000014	PIN
23	1	PI-000032	LYNCH PIN

* MOTOR SEAL KITS NOT SHOWN ON DIAGRAM

PD8/ PD10



PD8/ PD10 PARTS LIST

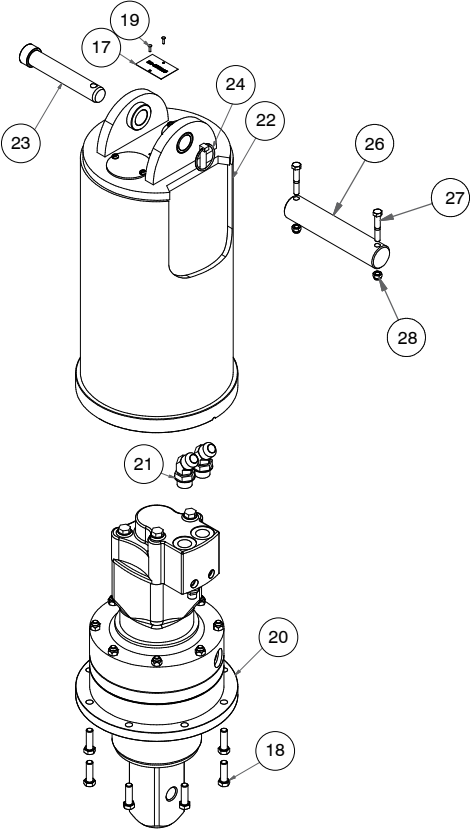
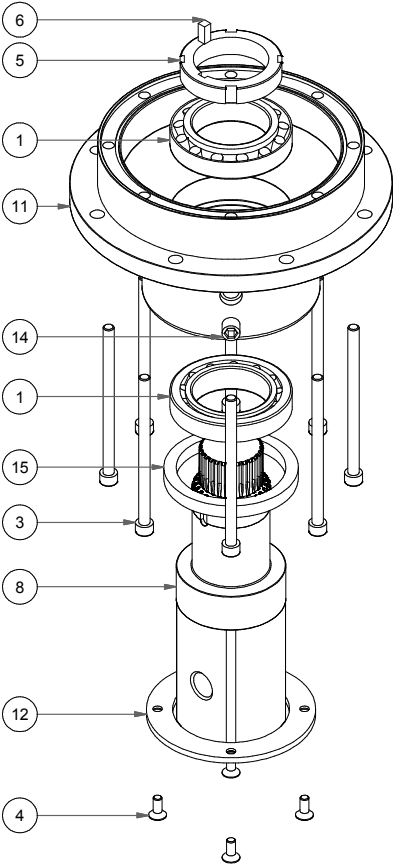
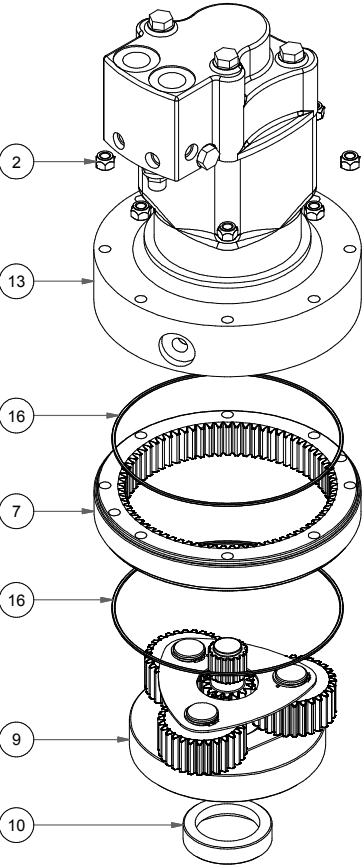
ITEM	QTY	PART NUMBER	DESCRIPTION
1	2	BE-000024	BEARING TAPERED ROLLER
2	8	FA-000004	BOLT HEX
3	8	FA-000007	BOLT HEX
4	8	FA-000097	NUT NYLOC
5	4	FA-000236	SCREW FLAT HEAD SOCKET
6	1	GB-000004	LOCK NUT
7	1	GB-000005	KEY - LOCK
8	1	GB-000008	RING GEAR - ALL RATIOS
	1	GB-000487	SHAFT 75x75
10	1	GB-000611	SPACER - (SUIT NO CIRCLIP)
11	1	GB-001305	INPUT HOUSING
12	1	GB-001331	GEARSET - SUIT PD8
	1	GB-001333	GEARSET - PD10
13	1	GB-001754	OUTPUT HOUSING - PD8- CAST VERSION
14	1	GB-001776	SEAL PROTECTOR - SUIT CAST OUTPUT
15	1	MO-000029	MOTOR 2K BELL MOTOR
*	1	MC-000006	MOTOR SEAL KIT (набор уплотнений мотора)
16	1	PP-000001	PRESSURE PLUG
17	1	SE-000012	O-RING
18	2	SE-000013	O-RING
19	1	SE-000006	SEAL

* MOTOR SEAL KITS NOT SHOWN ON DIAGRAM

20	8	FA-000014	BOLT HEX
21	4	FA-000112	SCREW PAN METAL THREAD
22	1	HO-000060	HOOD PREMIUM DRIVES - 8-10
23	2	HO-000251	HOOD CAP - TYPE 4 SCS
24	1	HS-000081	HOSE HYDE - AOL 2.2M LESS COUPLINGS (SET OF 2 HOSES)
25	1	PI-000028	HOOD PIN
26	1	PI-000032	LYNCH PIN B7

* MOTOR SEAL KITS NOT SHOWN ON DIAGRAM

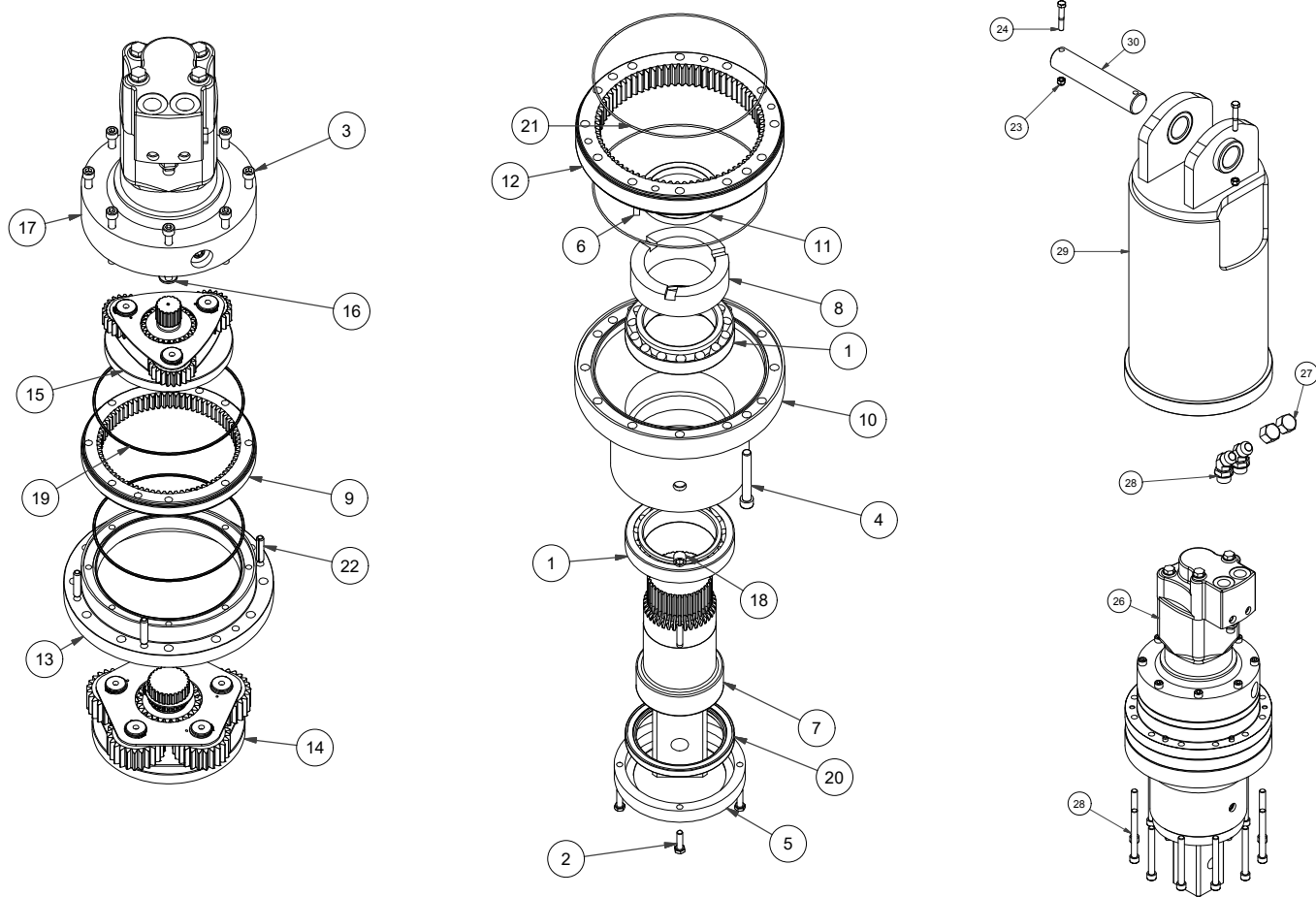
PD12



PD12 PART LISTS

ITEM	QTY	PART NUMBER	DESCRIPTION
1	2	BE-000024	BEARING TAPERED ROLLER E32014J
2	8	FA-000097	NUT NYLOC
3	8	FA-000128	SCREW SOCKET HEAD CAP
4	4	FA-000236	SCREW FLAT HEAD SOCKET
5	1	GB-000004	LOCK NUT
6	1	GB-000005	KEY - LOCK
7	1	GB-000008	RING GEAR - S4 - ALL RATIOS
8	1	GB-000487	SHAFT - S4 75x75
9	1	GB-001498	GEARSET - S4 - (PD12)
10	1	GB-000611	SPACER - S4 (SUIT NO CIRCLIP)
11	1	GB-001754	OUTPUT HOUSING - S4
12	1	GB-001776	SEAL PROTECTOR - S4
13	1	MO-000556	MOTOR HYD - (PD12)
14	1	PP-000001	PRESSURE PLUG
15	1	SE-000006	SEAL
16	2	SE-000013	O-RING
17	8	FA-000014	BOLT HEX
18	1	GB-002871	GEARBOX ASSEMBLY
19	2	HA-000430	ELB45-17JICM-17UNOM-S88-1717
20		HO-000735	HOOD - PREMIUM DRIVES 12 - STD AND SV (PD12)
21	1	PI-000028	HOOD PIN
22	1	PI-000032	LYNCH PIN
23	1	PI-000014	PIN (PD12)
24	2	FA-000046	BOLT HEX (PD12)
25	2	FA-000093	NUT NYLOC (PD12)

PD15/ PD18/ PD22 (после апреля 2011)

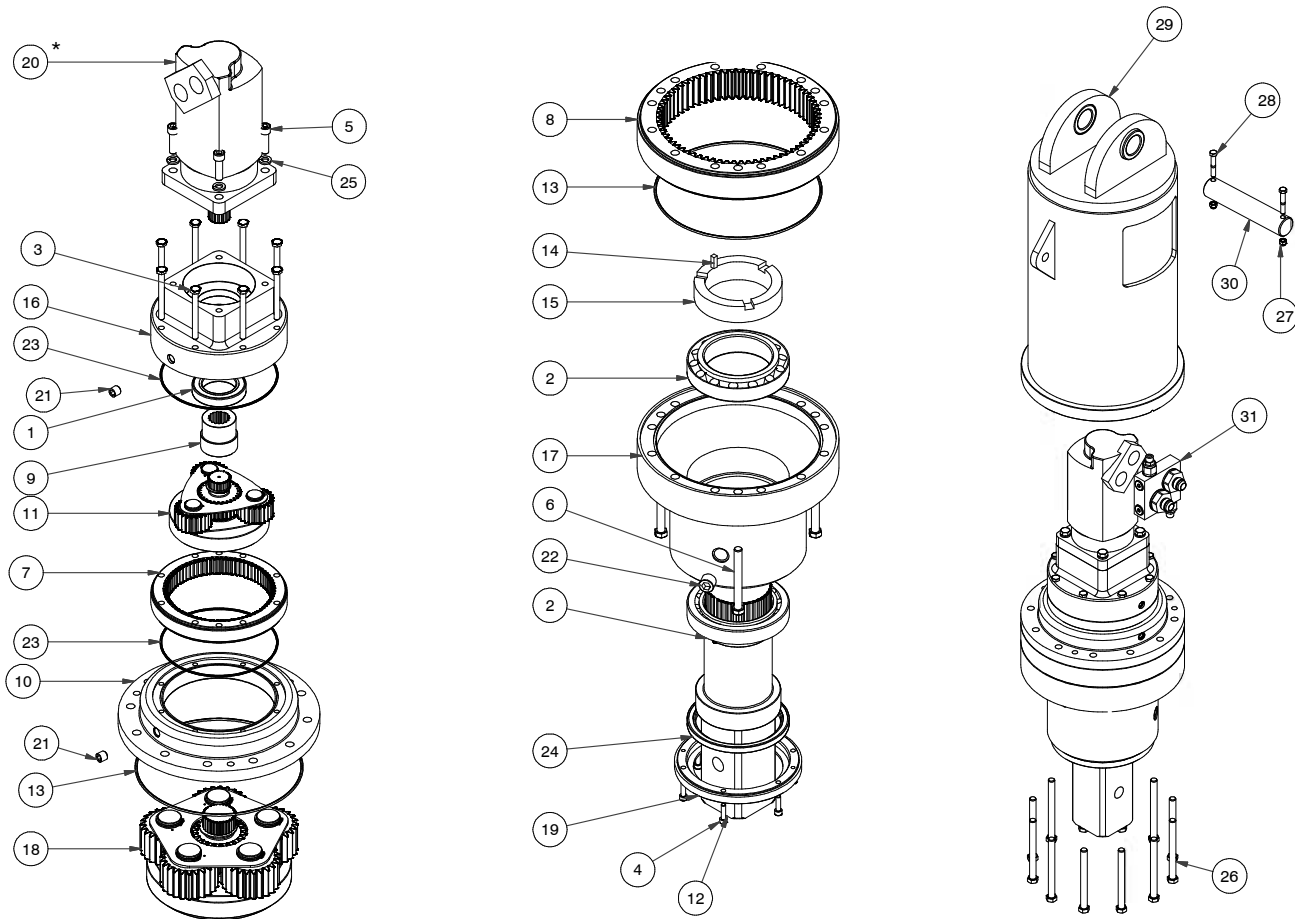


PD15/ PD18/ PD22 PARTS LIST (после апреля 2011)

Parts List			
ITEM	QTY	PART NUMBER	DESCRIPTION
1	2	BE-000025	BEARING TAPERED ROLLER E32020J
2	4	FA-000024	BOLT HEX M8 x 30 G8.8 ZINC PLATED
3	8	FA-000132	SCREW SOCKET HEAD CAP M10 X 90 ZINC PLATED
4	2	FA-000610	SCREW SOCKET HEAD CAP M12 x 90 G12.9
5	1	GB-000535	SEAL PROTECTOR - S6/8 - SUIT 120x150x12 SEAL
6	1	GB-000542	KEY STEEL
7	1	GB-001491	SHAFT - S6/8 - 75mm SQ - 40 SPLINE - SHORT OUTPUT
8	1	GB-001699	LOCKNUT - S6/8 - WITH BUILT IN SPACER
9	1	GB-001875	RING GEAR - S3 - ALL RATIOS
10	1	GB-002106	OUTPUT HOUSING - S5 - CAST VERSION - 100 DIA SHAFT
11	1	GB-002112	SPACER - S5 - 13mm
12	1	GB-002786	RING GEAR - S5 - SINGLE STAGE
13	1	GB-002787	INTERIM HOUSING - S3/4 - S5
14	1	GB-002790	GEARSET - S5 - RATIO 3.85 - 40 SPLINE CARRIER - 27T SPLINE SUN GEAR - SINGLE STAGE
15	1	GB-002807	GEARSET - S3.5 - RATIO 3.77 - 27 SPLINE CARRIER - MS1 SUN GEAR
16	1	GB-002819	GEARBOX - S4 - MOTOR SPACER FOR 6K BELL MOTOR
17	1	MO-000555	MOTOR HYD - 23.9CI TYPE 6K BELL TOP PORT (612-6054) - WITH RELIEF VALVE
18	1	PP-000001	PRESSURE PLUG 3/8 BSPT
19	2	SE-000013	O-RING R70170
20	1	SE-000038	SEAL 120 x 150 x 12
21	2	SE-000114	SEAL - R70-176 FOR SERIES 5 GEARBOXES
22	4	SP-000006	SPRING PIN - M10 x 45

ITEM	QTY	PART NUMBER	DESCRIPTION
23	2	FA-000093	NUT NYLOC 3/8 UNC GR5 ZP
24	2	FA-000202	BOLT HEX 3/8 x 2.1/4 G8.8 UNC ZINC PLATED
25	12	FA-000618	SCREW SOCKET HEAD CAP M12 x 110 G12.9
26	2	HA-000131	S65-17 - JIC - CAP NUT
27	2	HA-000430	ELB45-17JICM-17UNOM-S88-1717
28	1	HO-000701	HOOD - PDI-13-16 STANDARD HOOD WELDMENT
29	1	PI-000045	PIN - 45 DIA - 100mm LINKAGE PIN

PD25 / PD30 / PD40 / PD50



PD25 / PD30 / PD40 / PD50 PARTS LIST

ITEM	QTY	PART NUMBER	DESCRIPTION
1	1	BE-000023	BEARING
2	2	BE-000029	BEARING TAPERED ROLLER
3	8	FA-000001	BOLT HEX
4	6	FA-000144	SCREW SOCKET HEAD CAP
5	4	FA-000115	SCREW SOCKET HEAD CAP
6	3	FA-000184	BOLT HEX
7	1	GB-000008	RING GEAR - S4 - ALL RATIOS
8	1	GB-000539	RING GEAR - S8
9	1	GB-000555	SPLINE ADAPTOR
10	1	GB-000574	INTERIM HOUSING - S6/8 - S4
11	1	GB-000595	GEARSET - S4
12	1	GB-001429	OUTPUT SHAFT 100x100
13	2	GB-001469	O-RING
14	2	GB-001678	KEY - LOCK
15	1	GB-001697	LOCKNUT - S9.5 - WITH BUILT IN SPACER
16	1	GB-001751	INPUT HOUSING - S4 6K - CAST VERSION
17	1	GB-001753	OUTPUT HOUSING - S8 - 120 SHAFT - CAST VERSION
18	1	GB-001936	GEARSET - S8 - SUIT PD25/PD40
		GB-001937	GEARSET - S8 - SUIT PD30/PD50
19	1	GB-001941	SEAL PROTECTOR - S8 WITH S9.5 SHAFT
20	1	MO-000555	CHARLYN BELL 6K - SUIT PD40/PD50 - Post October 2012
		MO-000554	CHARLYN BELL 6K - SUIT PD25/PD30 - Post October 2012
*	1	MC-000009	SHAFT SEAL KIT Уплотнения мотора – вход

*	1	MC-000010	Уплотнения мотора - выход
21	2	PP-000001	PRESSURE PLUG
22	1	PP-000003	PRESSURE PLUG
23	2	SE-000013	O-RING
24	1	SE-000039	SEAL shaft
25	4	WA-000010	WASHER SPRING
26	12	FA-000081	BOLT HEX
27	2	FA-000093	NUT NYLOC
28	2	FA-000202	BOLT HEX
29	1	HO-00053	HOOD - PREMIUM DRIVE 25-50-STD
30	1	PI-000045	PIN
31	1	VB-000070	VALVE BLOCK - 6K DUAL RELIEF VALVE ASSEMBLY WITH BANJO BOLTS

* MOTOR SEAL KITS NOT SHOWN ON DIAGRAM

