

---

**PARTS MANUAL**

ver. 1.0

PMHB80ENG.711

# **HYDRAULIC BREAKER**

## **HAMMER HB 80**

Serial No.

TRK 800005-UP

---

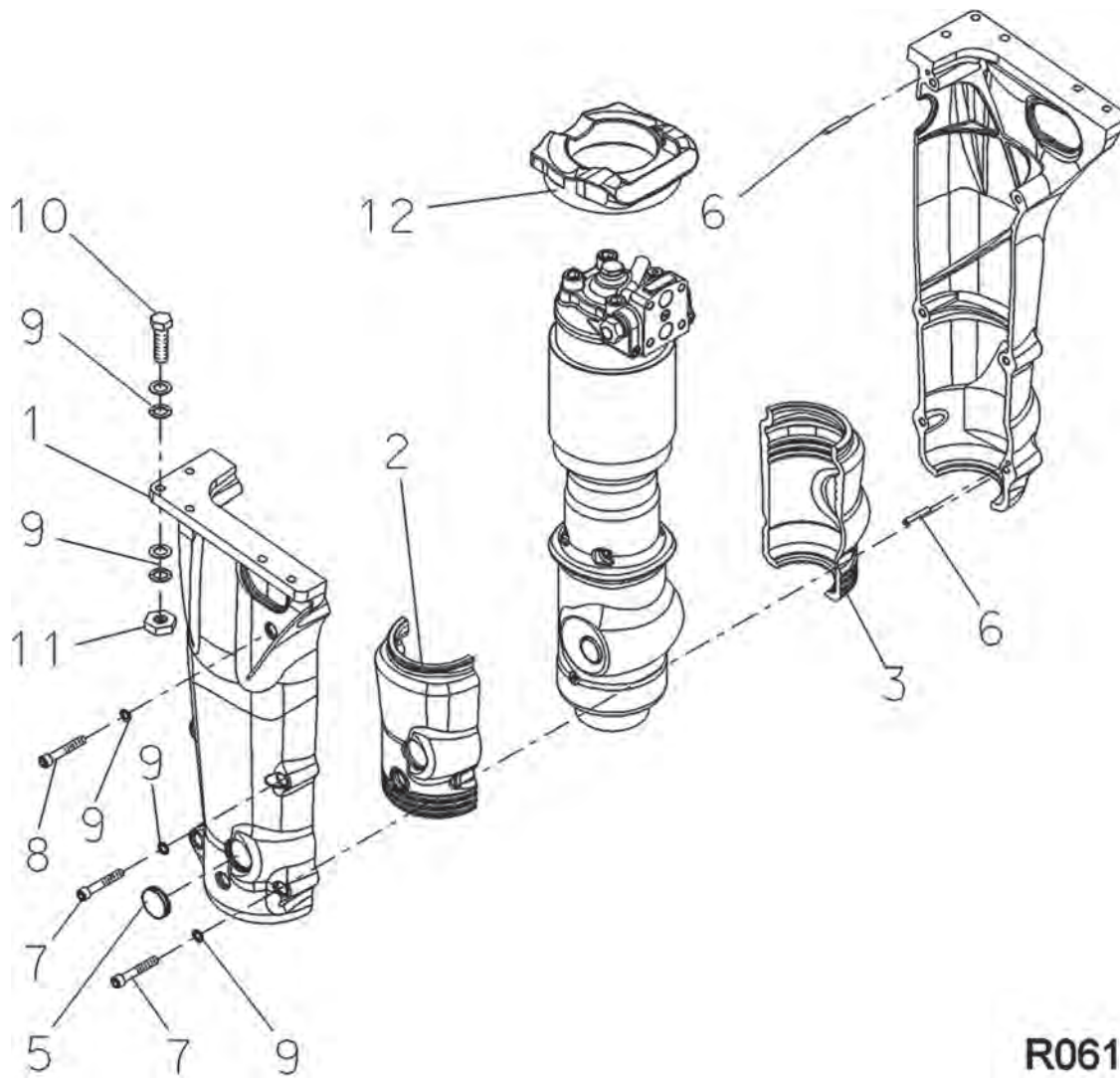
## TABLE OF CONTENTS

1. Housing unit.....	4
2. Accumulators.....	6
3. Pressure adjusting valve.....	8
4. Body parts.....	9
5. Lower tool bushing.....	10
6. Tool .....	11
7. Swivel couplings .....	12
8. Seal set .....	14

# PARTS

# HOUSING UNIT

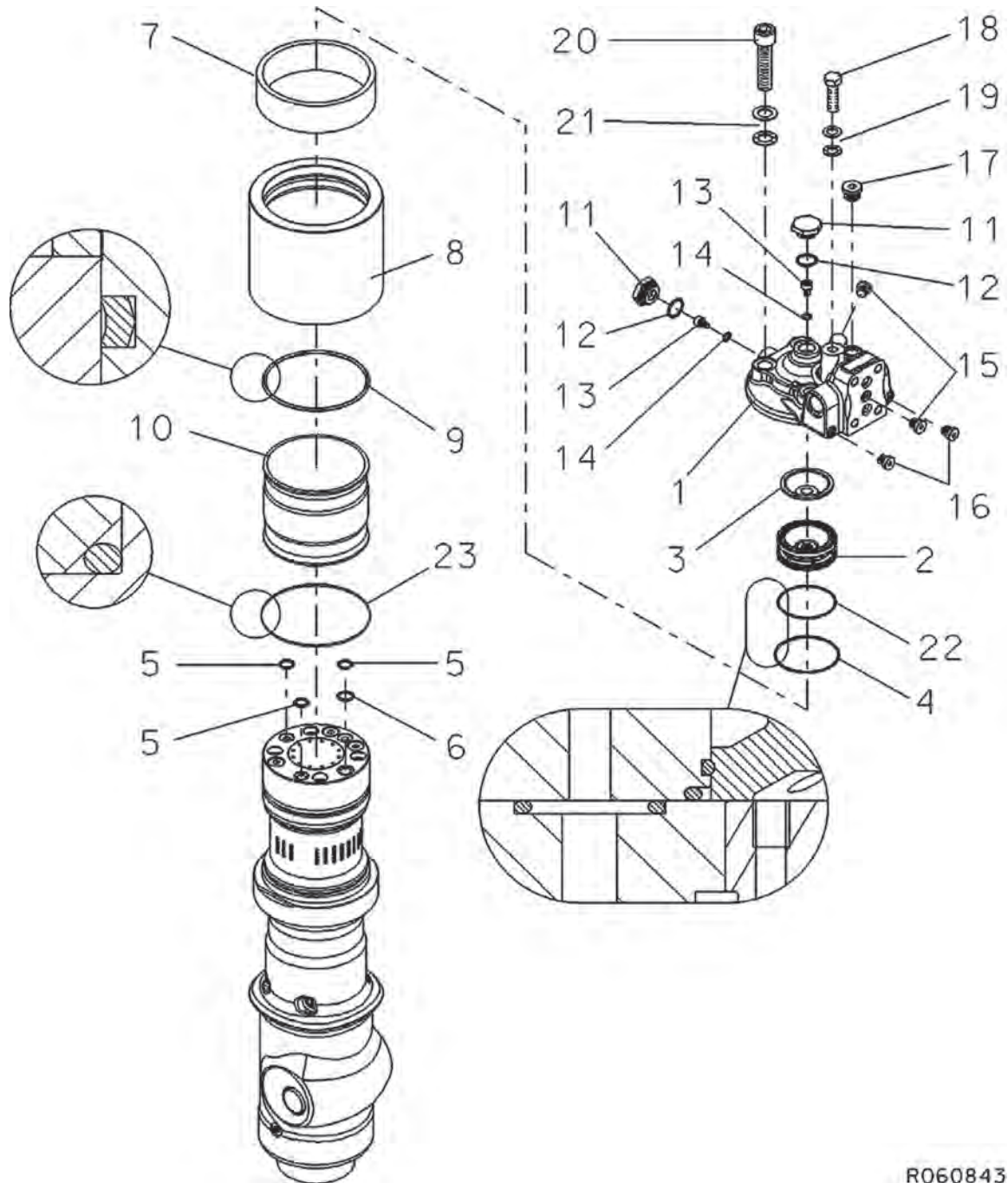
## 1. HOUSING UNIT



R06110

Item	Description	Part no.	Specification	Note	Qty
1	Housing plates	H00169917			1
2	Damper	H00161593			1
3	Damper	H00161594			1
5	Plug	H00161833			2
6	Parallel pin	H00901101	10m6x70 ISO 8734		2
7	Hex. socket screw	H00900003	M16x100-8.8 ISO 4762		4
8	Hex. socket screw	H00952680	M16x140-8.8 ISO 4762		2
9	Lock washer	H00090597	M16 NORD-LOCK		26
10	Hex. screw	H00090566	M16x70-8.8 ISO 4014		10
11	Hex. nut	H00091000	M16-8 ISO 4032		10
12	Shield	H00164712			1
20	Label set (incl. part 21)	H00169918			1
21	Safety label set	H00169555	Rus		1

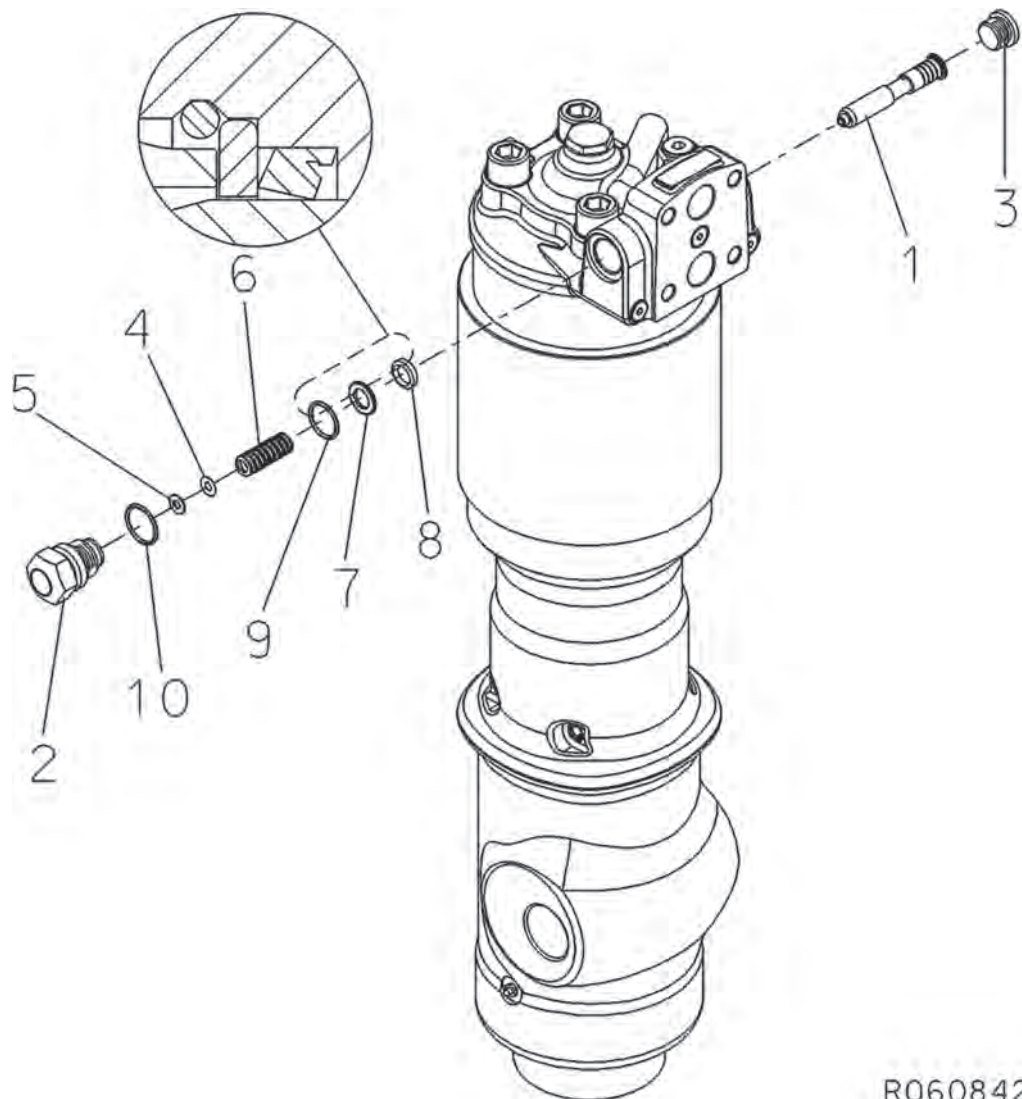
2. ACCUMULATORS



R060843

Item	Description	Part no.	Specification	Note	Qty
1	Cover (incl. parts 15-19)	H00163399			1
2	Accumulator bottom	H00162917			1
3	Membrane	H00300293			1
4	O-ring	H00090005	D105		1
5	O-ring	H00090012	D19	*	3
6	O-ring	H00950259	D22	*	1
7	Assembly ring	H00162916			1
8	Accumulator cover	H00162918			1
9	Seal	H00953223	D171	*	1
10	Membrane	H00113064			1
11	Shield plug	H00400300			2
12	O-ring	H00910006	D23	*	2
13	Filling plug	H00042074			2
14	Usit-ring	H00090056	8-13.9-1	*	2
15	Flange plug	H00090403	R1/4		2
16	Flange plug	H00041658	R1/4		2
17	Flange plug	H00090424	R1/2		1
18	Hex. screw	H00090514	M16x30-8.8 ISO 4017		1
19	Lock washer	H00090597	M16 NORD-LOCK		1
20	Hex. socket screw	H00900049	M24x100-8.8 ISO 4762		4
21	Lock washer	H00091038	M24 NORD-LOCK		4
22	O-ring	H00952675	D101	*	1
23	O-ring	H00953933	D165	*	1
	*) Are included in seal set				

3. PRESSURE ADJUSTING VALVE

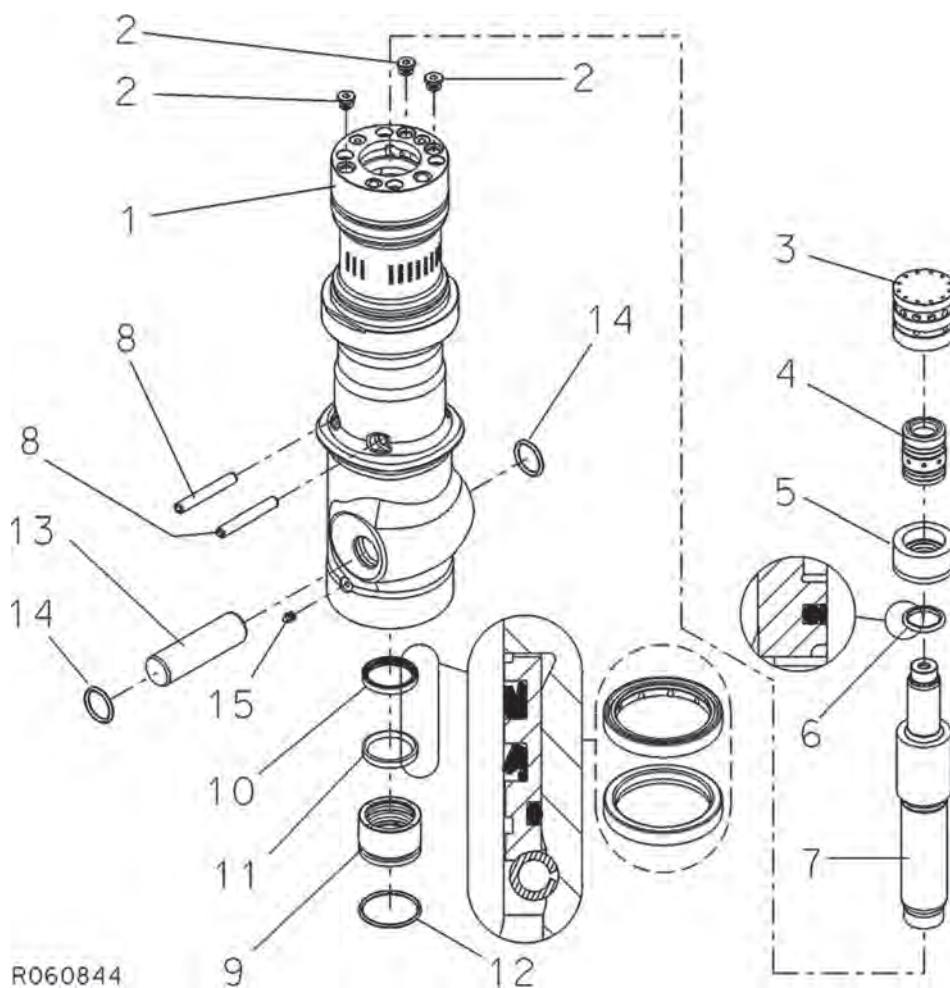


R060842

	Description	Part no.	Specification	Note	Qty
1	Pressure adjusting spool	H00163059			1
2	Spring housing	H00161577			1
3	Flange plug	H00090401	R3/4		1
4	Shim plate	H00041640			X
5	Shim plate	H00041639	S=0.5		X
6	Spring	H00090114			1
7	Washer	H00162042			1
8	Seal	H00951479		*	1
9	O-ring	H00901143	D29	*	1
10	O-ring	H00090004	D32	*	1
	*) Are included in seal				



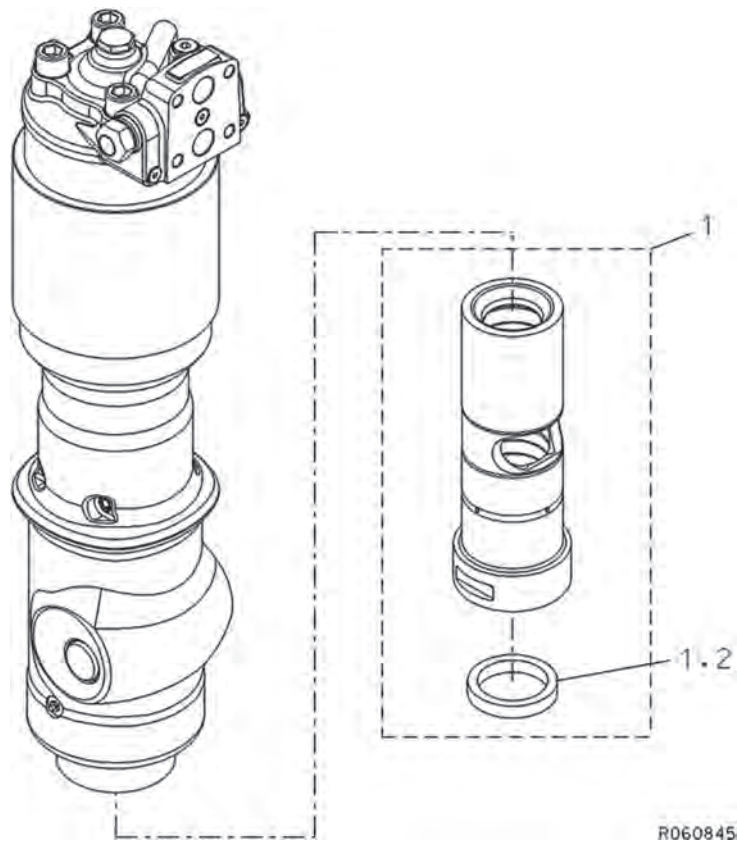
**4. BODY PARTS**



R060844

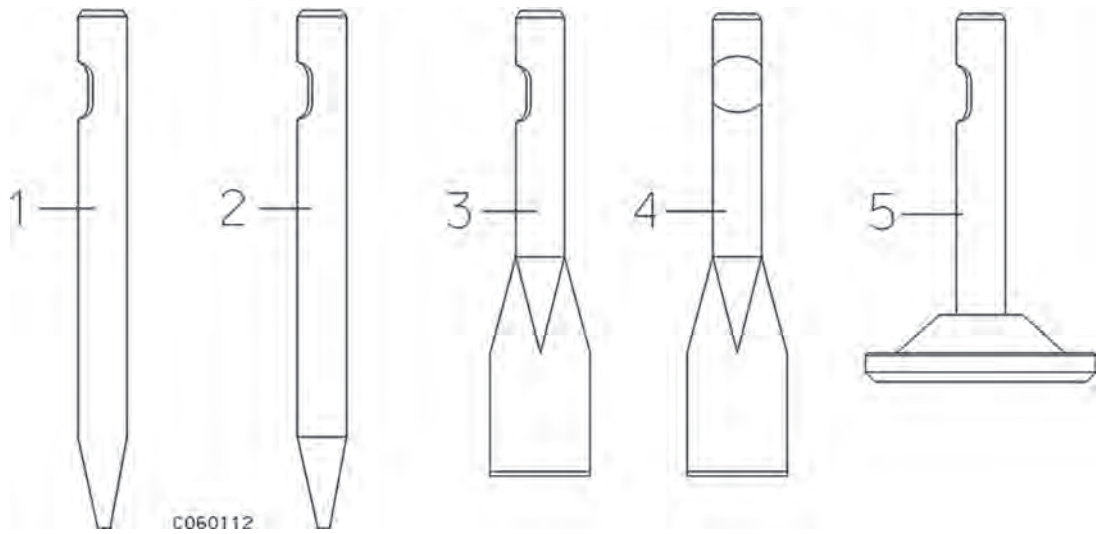
Item	Description	Part no.	Specification	Note	Qty
1	Cylinder (incl. parts 2 and 15)	H00162866			1
2	Flange plug	H00090424	R1/2		3
3	Distributor cover	H00161466			1
4	Distributor	H00161691			1
5	Steering ring	H00161431			1
6	Seal	H00911005		*	1
7	Piston	H00161693			1
8	Split pin	H00090363	16x120 ISO 8752		1
9	Seal carrier	H00161428			1
10	Seal	H00952549		*	1
11	Seal	H00952548		*	1
12	O-ring	H00903405	D84	*	1
13	Tool retaining pin	H00161411			1
14	O-ring	H00952550	D45	*	2
15	Grease nipple	H00090201	R1/8		1
	*) Are included in seal				

**5. LOWER TOOL BUSHING**



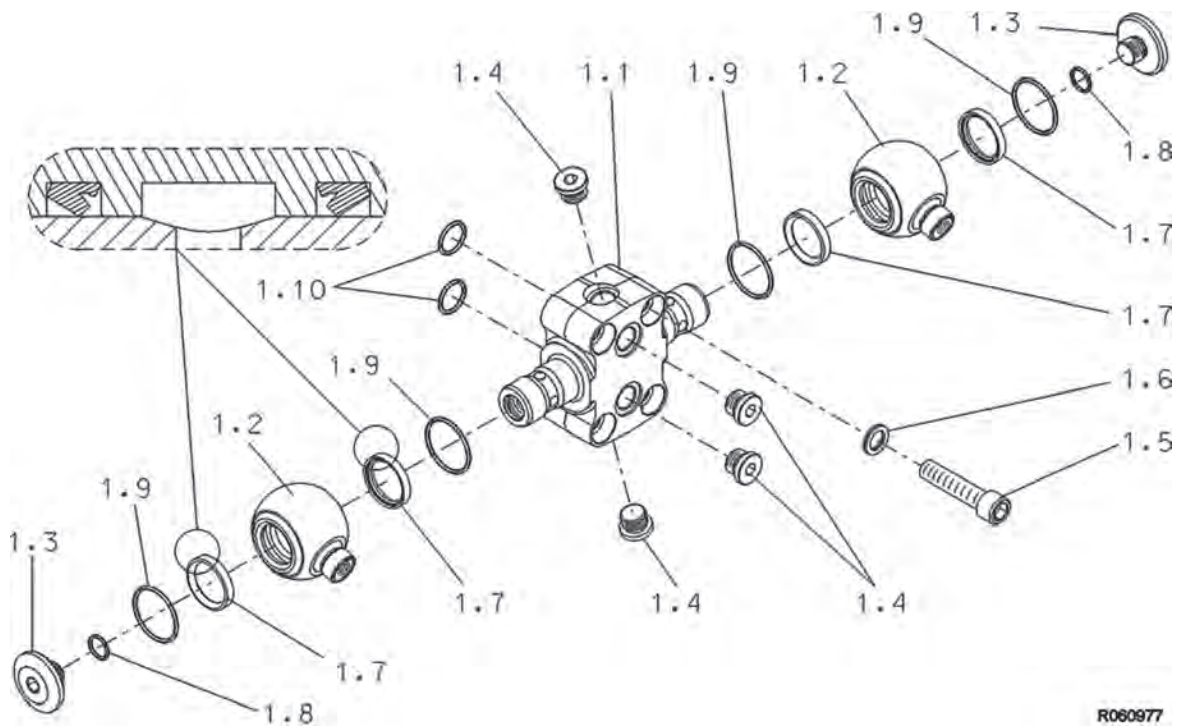
Item	Description	Part no.	Specification	Note	Qty
1	Lower tool bushing (incl. part 1.2)	H00163675		*	1
1.2	Seal	H00103364			1
	*) Are included in seal set				

## 5. TOOL



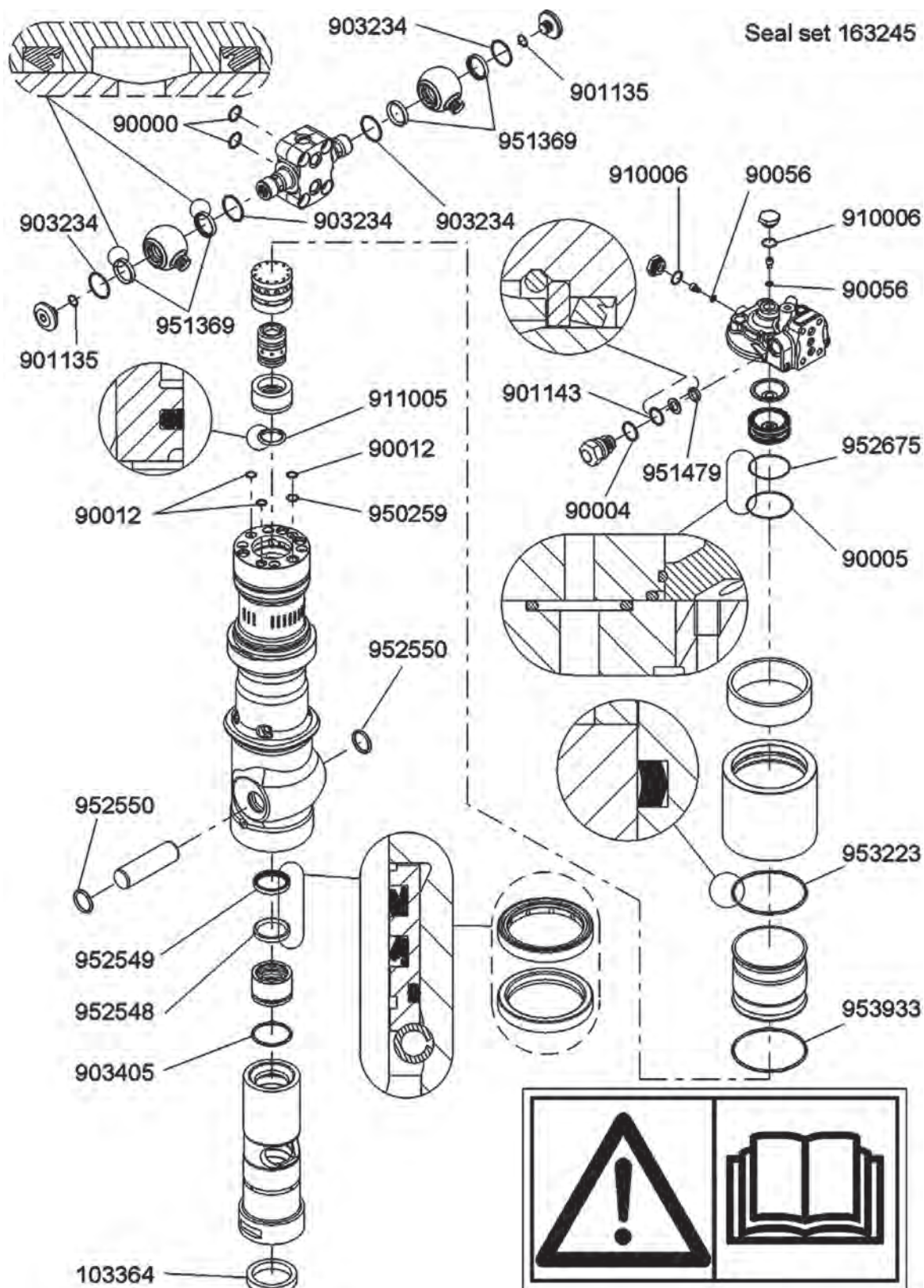
Item	Description	Part no.	Specification	Note	Qty
1	Chisel	H000BJ701	L = 740 mm, W = 27.1 kg, D = 80 mm		1
2	Moil point	H000BJ703	L = 740 mm, W = 27.1 kg, D = 80 mm		1
3	Spade, parallel to boom	H000BJ705	L = 740 mm, W = 25 kg, Width = 200 mm		1
4	Spade, transverse to boom	H000BJ706	L = 740 mm, W = 25 kg, Width = 200 mm		1
5	Compacting plate	H000BJ707	L = 700 mm, W = 68.1 kg, Plate D = 330 mm		1

7. SWIVEL COUPLINGS



Item	Description	Part no.	Specification	Note	Qty
1	Swivel couplings (incl. parts 1.1-1.10)	H00165579			1
1.1	Manifold	H00163401			1
1.2	Swivel	H00164769			2
1.3	Screw	H00163387			2
1.4	Flange plug	H00090424	R1/2		4
1.5	Hex. socket screw	H00091105	M16x70-8.8 ISO 4762		4
1.6	Lock washer	H00090597	M16 NORD-LOCK		4
1.7	Seal	H00951369	D36	*	4
1.8	O-ring	H00901135	D17	*	2
1.9	O-ring	H00903234	D44	*	4
1.10	O-ring	H00090000	D24	*	2
	*) Are included in seal set				

### 8. SEAL SET



This summary only indicates the position of the seals. It must NOT be used as assembly instruction. Read the manual.

R060890

Item	Description	Part no.	Specification	Note	Qty
Kit	Seal set (incl. parts 1-21)	H00163245			1
1	O-ring	H00090005	D105		1
2	O-ring	H00090012	D19		3
3	O-ring	H00950259	D22		1
4	Seal	H00953223	D171		1
5	O-ring	H00910006	D23		2
6	Usit-ring	H00090056	8-13.9-1		2
7	Seal	H00951479	D18		1
8	O-ring	H00901143	D29		1
9	O-ring	H00090004	D32		1
10	Seal	H00911005			1
11	Seal	H00952549			1
12	Seal	H00952548			1
13	O-ring	H00903405	D84		1
14	O-ring	H00952550	D45		2
15	Seal	H00103364			1
16	O-ring	H00952675	D101		1
17	Seal	H00951369	D36		4
18	O-ring	H00901135	D17		2
19	O-ring	H00903234	D44		4
20	O-ring	H00090000	D24		2
21	O-ring	H00953933	D165		1