
PARTS MANUAL

ver. 1.0

PMHB60ENG.711

HYDRAULIC BREAKER

HAMMER HB 60

Serial No.

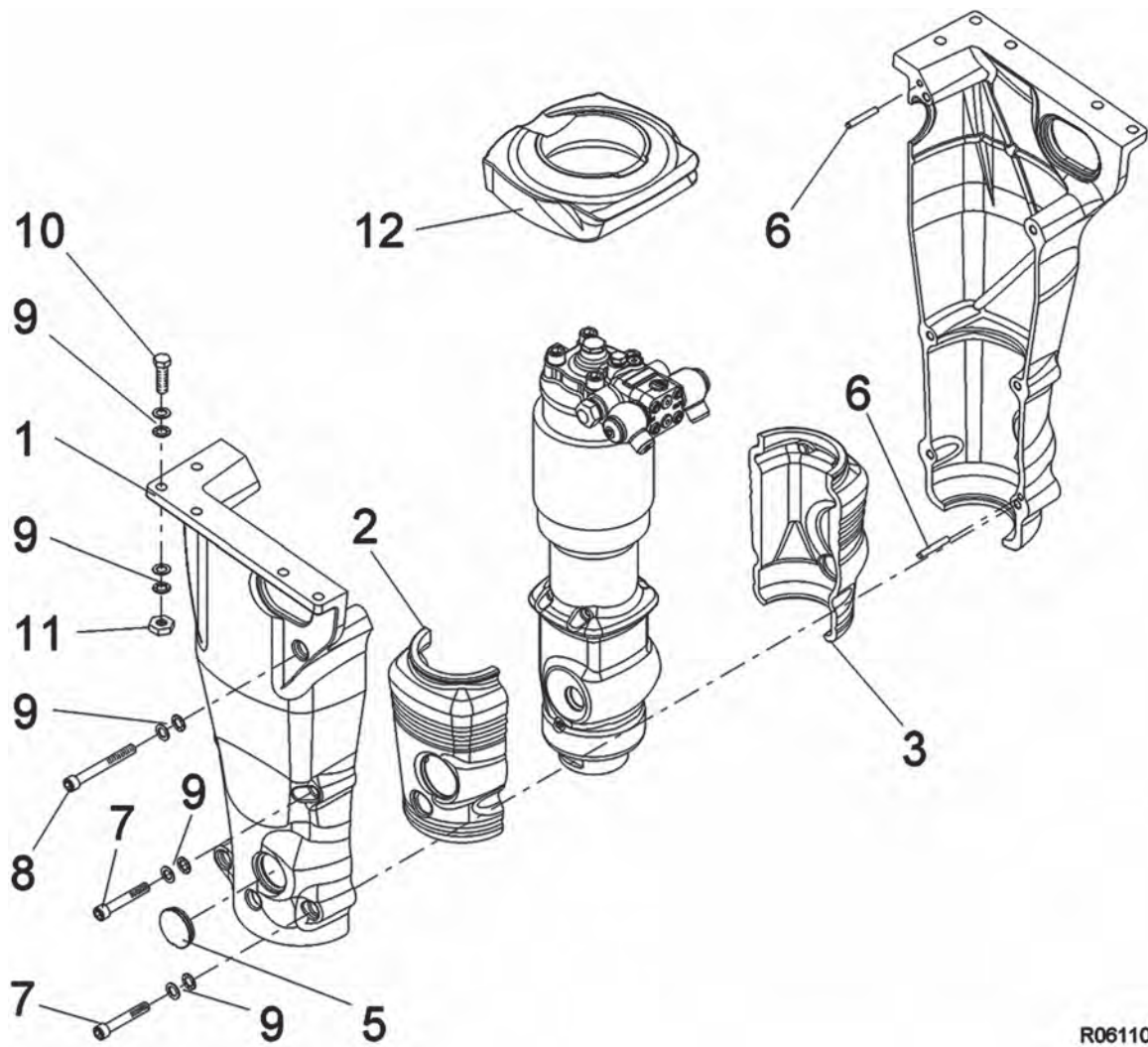
TRK 600005-UP

TABLE OF CONTENTS

1. Housing unit.....	4
2. Accumulators.....	6
3. Pressure adjusting valve.....	8
4. Body parts.....	9
5. Lower tool bushing.....	10
6. Tool	11
7. Swivel couplings	12
8. Seal set	14

PARTS

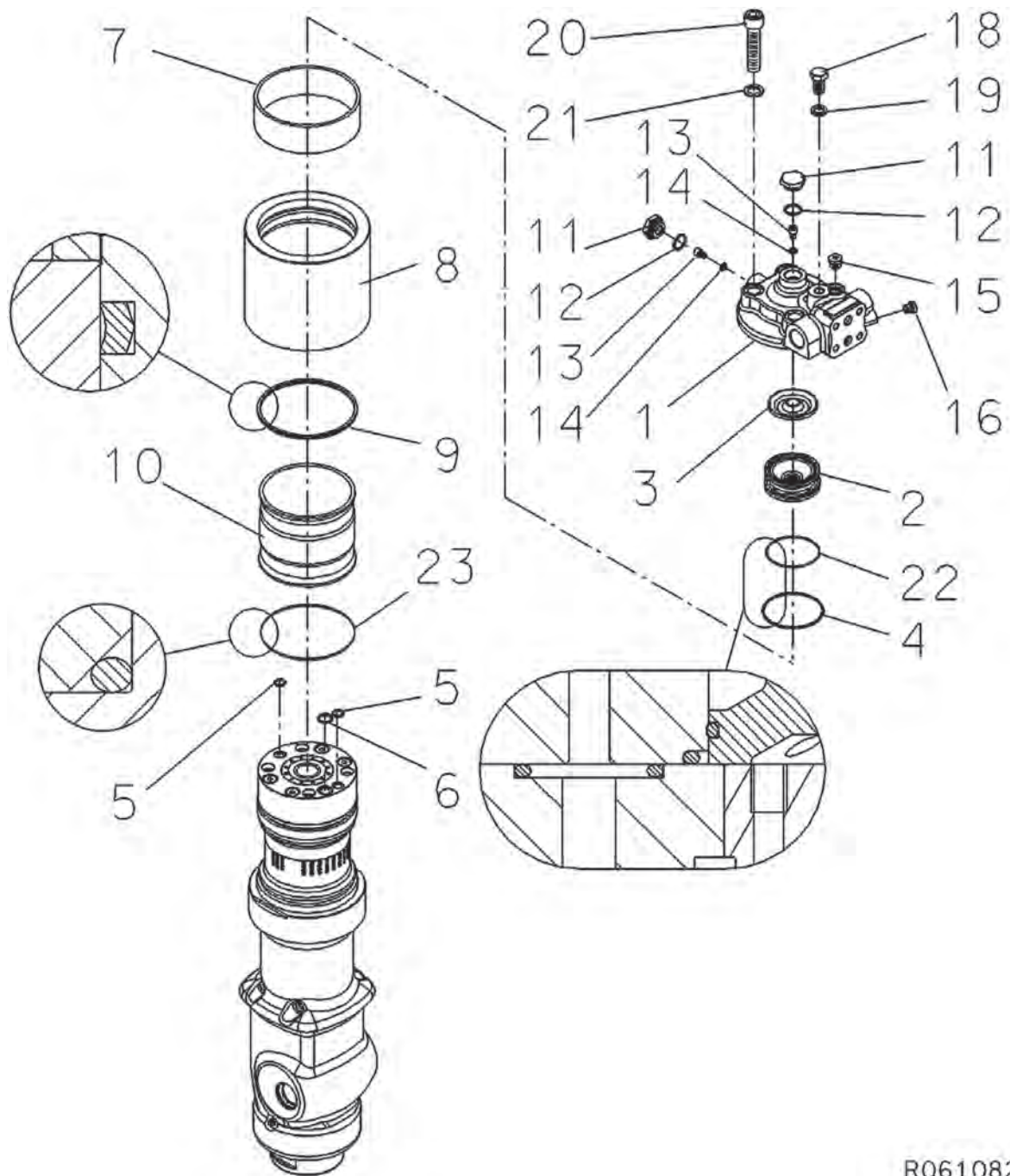
1. HOUSING UNIT



R061103

Item	Description	Part no.	Specification	Note	Qty
1	Housing plates	H00169698			1
2	Damper	H00167744			1
3	Damper	H00167747			1
5	Plug	H00161833			1
6	Parallel pin	H00901101	10m6x70 ISO 8734		2
7	Hex. socket screw	H00900003	M16x100-8.8 ISO 4762		4
8	Hex. socket screw	H00952680	M16x140-8.8 ISO 4762		2
9	Lock washer	H00090597	M16 NORD-LOCK		26
10	Hex. screw	H00090566	M16x70-8.8 ISO 4014		10
11	Hex. nut	H00091000	M16-8 ISO 4032		10
12	Shield	H00167753			1
20	Label set (incl. part 21)	H00169723			1
21	Safety label set	H00169555	Rus		1

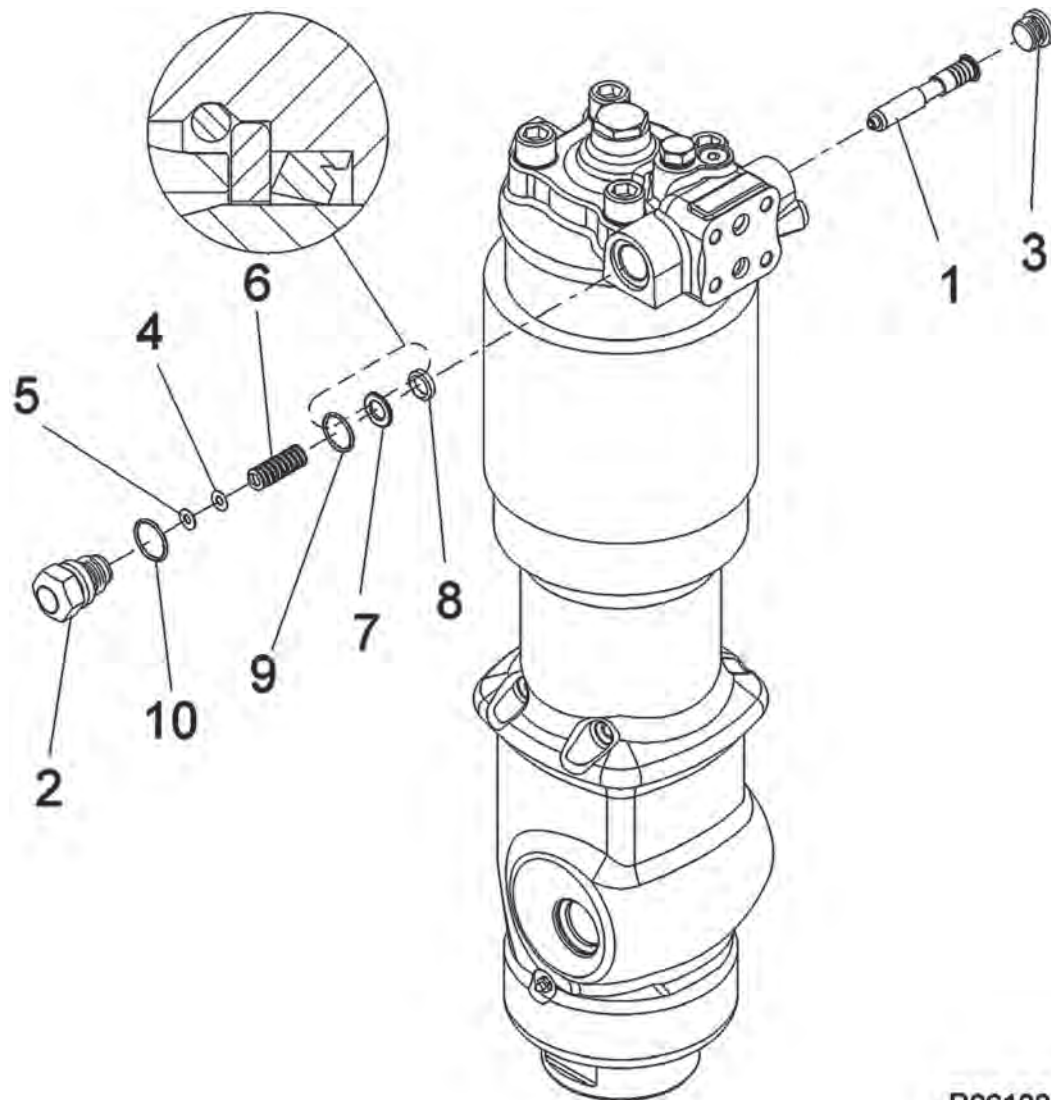
2. ACCUMULATORS



R061082

Item	Description	Part no.	Specification	Note	Qty
1	Cover (incl. parts 15-19)	H00167012			1
2	Accumulator bottom	H00166992			1
3	Membrane	H00102044			1
4	O-ring	H00094068			1
5	O-ring	H00090011	D14	*	1
6	O-ring	H00090012	D19	*	1
7	Assembly ring	H00166991			1
8	Accumulator cover	H00167008			1
9	Seal	H00953599	D152	*	1
10	Membrane	H00154759			1
11	Shield plug	H00400300			2
12	O-ring	H00910006	D23	*	2
13	Filling plug	H00042074			2
14	Usit-ring	H00090056	8-13.9-1	*	2
15	Flange plug	H00090444	R3/8		1
16	Flange plug	H00041658	R1/4		1
18	Hex. screw	H00090514	M16x30-8.8 ISO 4017		1
19	Lock washer	H00090597	M16 NORD-LOCK		1
20	Hex. socket screw	H00900005	M20x90-8.8 ISO 4762		4
21	Lock washer	H00091010	M20 NORD-LOCK		4
22	O-ring	H00953596	D84	*	1
23	O-ring	H00953932	D150	*	1
	*) Are included in seal set				

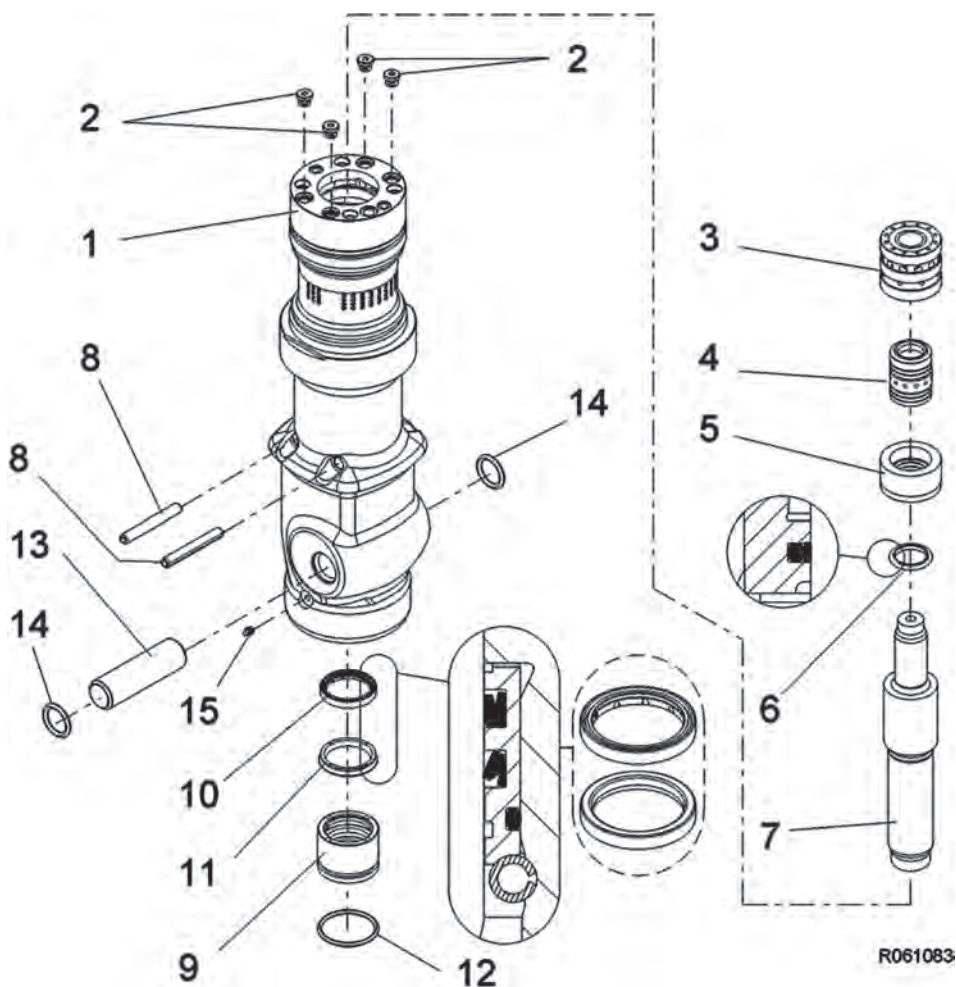
3. PRESSURE ADJUSTING VALVE



R061081

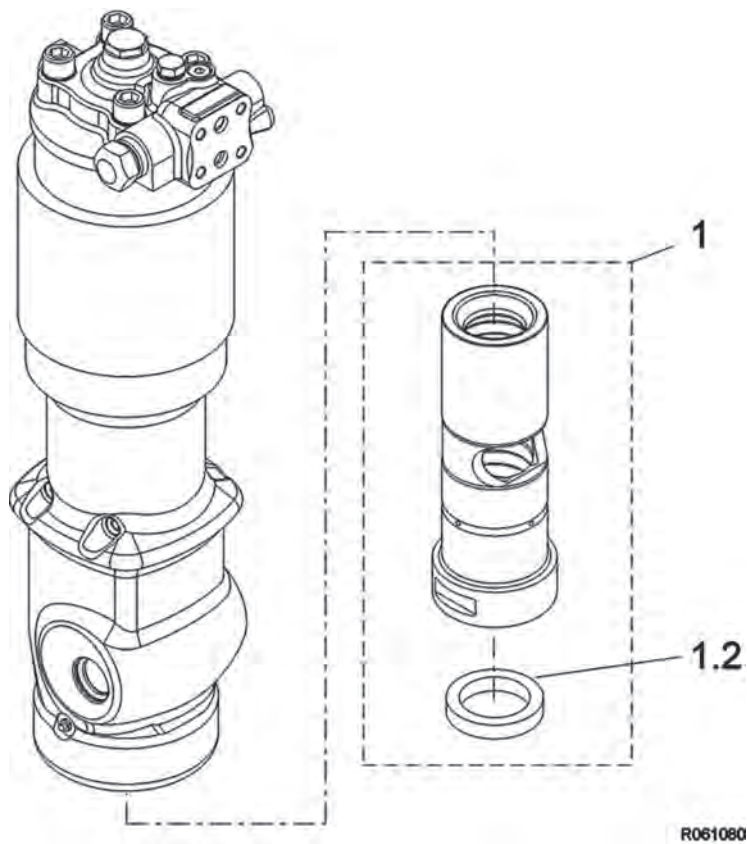
Item	Description	Part no.	Specification	Note	Qty
1	Pressure adjusting spool	H00163059			1
2	Spring housing	H00161577			1
3	Flange plug	H00090401	R3/4		1
4	Shim plate	H00041640	S=1		X
5	Shim plate	H00041639	S=0.5		X
6	Spring	H00090114			1
7	Washer	H00162042			1
8	Seal	H00951479	D18	*	1
9	O-ring	H00901143	D29	*	1
10	O-ring	H00090004	D32	*	1
	*) Are included in seal				

4. BODY PARTS



Item	Description	Part no.	Specification	Note	Qty
1	Cylinder (incl. parts 2 and 15)	H00167010			1
2	Flange plug	H00090444	R3/8		4
3	Distributor cover	H00166989			1
4	Distributor	H00166988			1
5	Steering ring	H00166987			1
6	Seal	H00953597		*	1
7	Piston	H00166986			1
8	Split pin	H00953593	14x100 ISO 8752		2
9	Seal carrier	H00167000			1
10	Seal	H00963598		*	1
11	Seal	H00950030		*	1
12	O-ring	H00953594	D74	*	1
13	Tool retaining pin	H00167004			1
14	O-ring	H00953595	D38	*	2
15	Grease nipple	H00090201	R1/8		1
	*) Are included in seal				

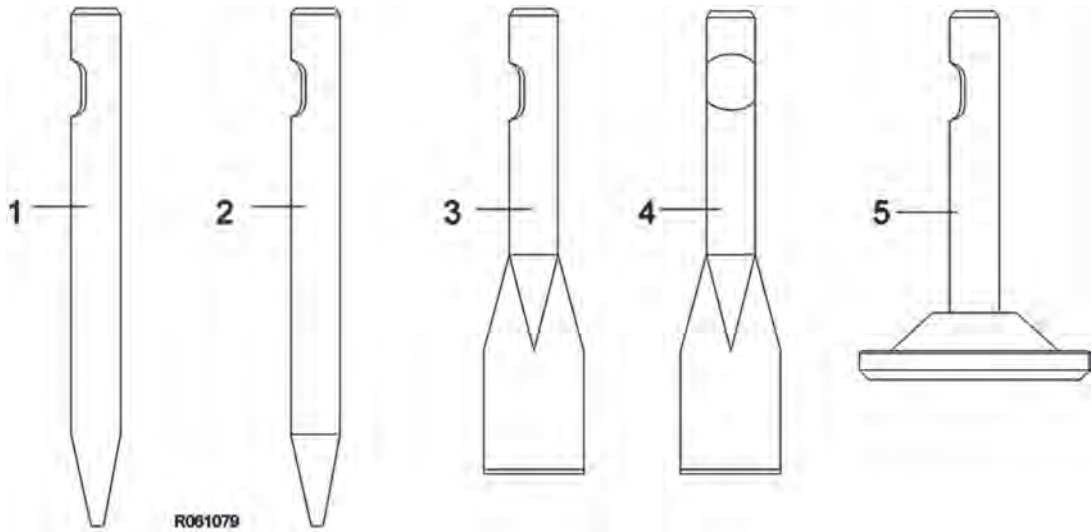
5. LOWER TOOL BUSHING



R061080

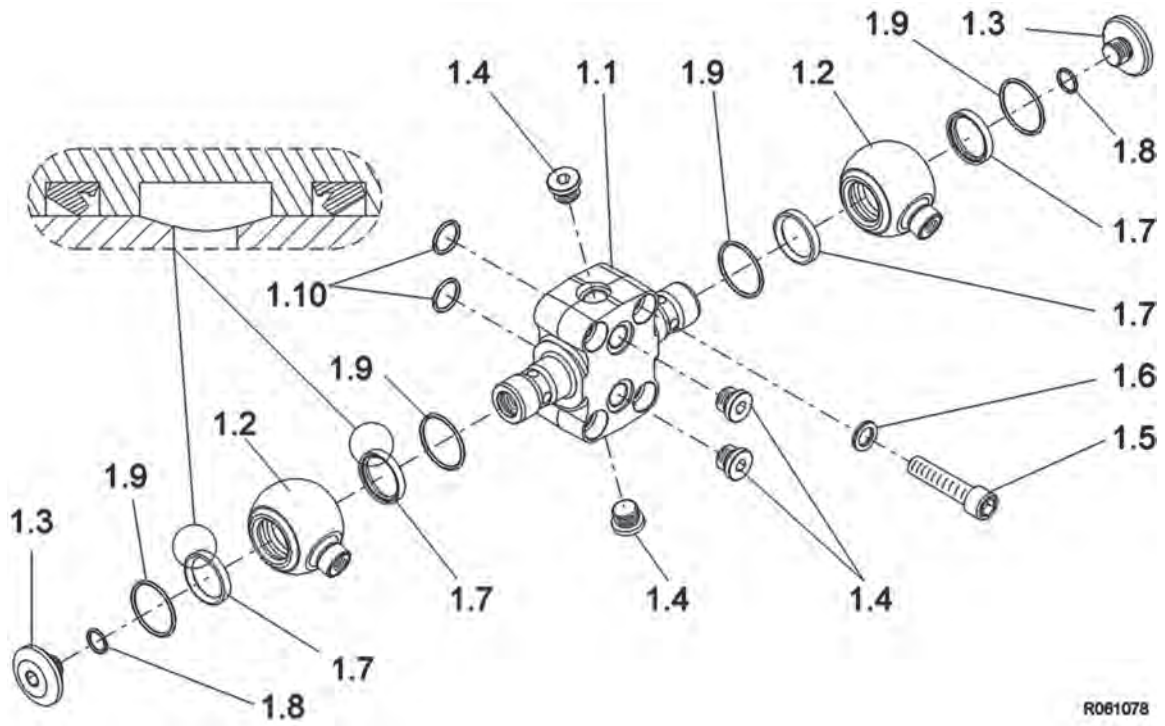
Item	Description	Part no.	Specification	Note	Qty
1	Lower tool bushing (incl. part 1.2)	H00167001		*	1
1.2	Seal	H00167003			1
	*) Are included in seal set				

5. TOOL



Item	Description	Part no.	Specification	Note	Qty
1	Chisel	H000BJ631	L = 650 mm, W = 19.2 kg, D = 72 mm		1
2	Moil point	H000BJ633	L = 650 mm, W = 19.2 kg, D = 72 mm		1
3	Spade, parallel to boom	H000BJ635	L = 650 mm, W = 17.9 kg, Width = 150 mm		1
4	Spade, transverse to boom	H000BJ636	L = 650 mm, W = 17.9 kg, Width = 150 mm		1
5	Compacting plate	H000BJ637	L = 510 mm, W = 51.4 kg, Plate D = 330 mm		1

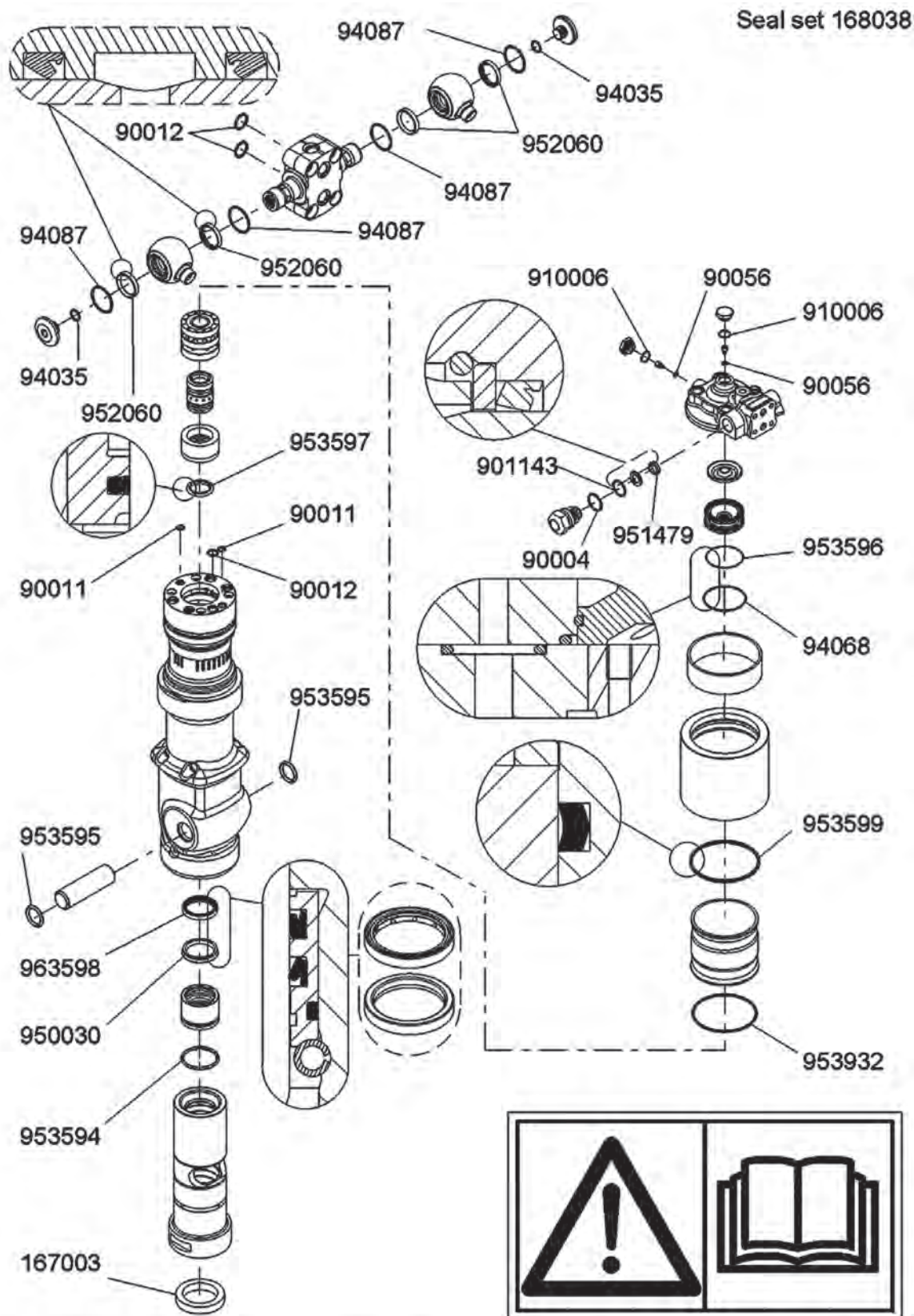
7. SWIVEL COUPLINGS



R061078

Item	Description	Part no.	Specification	Note	Qty
1	Swivel couplings (incl. parts 1.1-1.10)	H00167165			1
1.1	Manifold	H00167167			1
1.2	Swivel	H00167697			2
1.3	Screw	H00166995			2
1.4	Flange plug	H00090444	R3/8		4
1.5	Hex. socket screw	H00091041	M12x60-8.8 ISO 4762		4
1.6	Lock washer	H00091012	M12 NORD-LOCK		4
1.7	Seal	H00952060	D32	*	4
1.8	O-ring	H00094035	D13	*	2
1.9	O-ring	H00094087	D36	*	4
1.10	O-ring	H00090012	D19	*	2
	*) Are included in seal set				

8. SEAL SET



This summary only indicates the position of the seals. It must NOT be used as assembly instruction. Read the manual.

R061084

Item	Description	Part no.	Specification	Note	Qty
Kit	Seal set (incl. parts 1-20)	H00168038			1
1	Seal	H00953597			1
2	Seal	H00963598			1
3	Seal	H00950030			1
4	O-ring	H00953594	D74		1
5	O-ring	H00953595	D38		2
6	O-ring	H00094068	D95		1
7	O-ring	H00090011	D14		2
8	O-ring	H00090012	D19		3
9	Seal	H00953599	D152		1
10	O-ring	H00910006	D23		2
11	Usit-ring	H00090056	8-13.9-1		2
12	O-ring	H00953596	D84		1
13	Seal	H00951479	D18		1
14	O-ring	H00901143	D29		1
15	O-ring	H00090004	D32		1
16	Seal	H00167003			1
17	Seal	H00952060	D32		4
18	O-ring	H00094035	D13		2
19	O-ring	H00094087	D36		4
20	O-ring	H00953952	D150		1
30	Seal set for swivel couplings (incl. part 8 2 pc and parts 17-19)	H00168040			1

