

---

**PARTS MANUAL**

ver. 1.0

PMHB40ENG.711

**HYDRAULIC BREAKER**

**HAMMER HB 40**

Serial No.

TRK 400005-UP

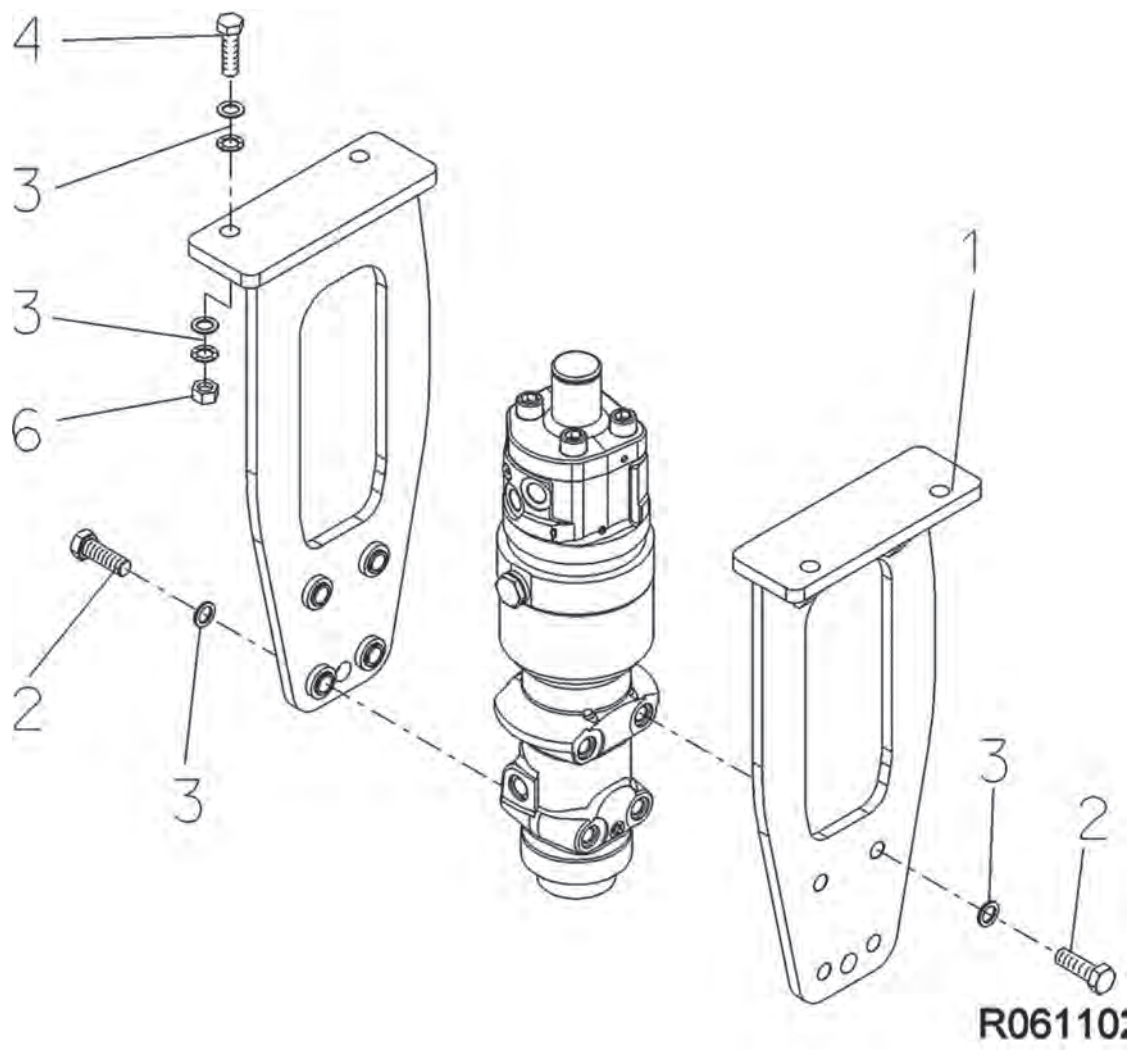
---

## TABLE OF CONTENTS

1. Housing unit.....	4
2. Valve body and distributor .....	6
3. Accumulator.....	8
4. Body parts.....	9
5. Lower tool bushing.....	10
6. Tool .....	11
7. Seal set .....	12

# PARTS

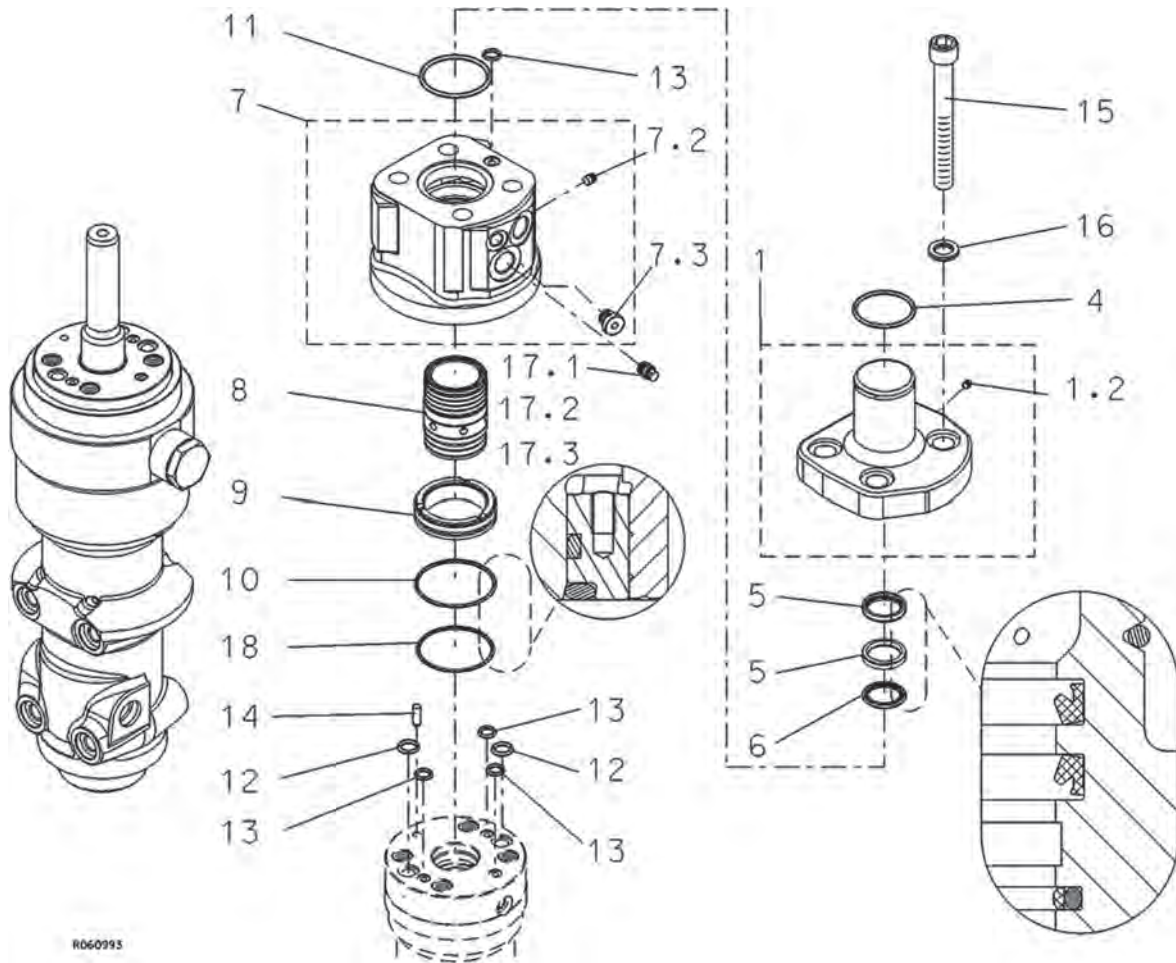
1. HOUSING UNIT



---

Item	Description	Part no.	Specification	Note	Qty
1	Housing plates	H00169915			1
2	Hex. screw	H00951615	M20x60-10.9 ISO 4017		8
3	Lock washer	H00091010	M20 NORD-LOCK		16
4	Hex. screw	H00091027	M20x70-8.8 ISO 4014		4
6	Nut	H00091017	M20-8 ISO 4032		4
20	Label set (incl. part 21)	H00169916			1
21	Safety label set	H00169555			1

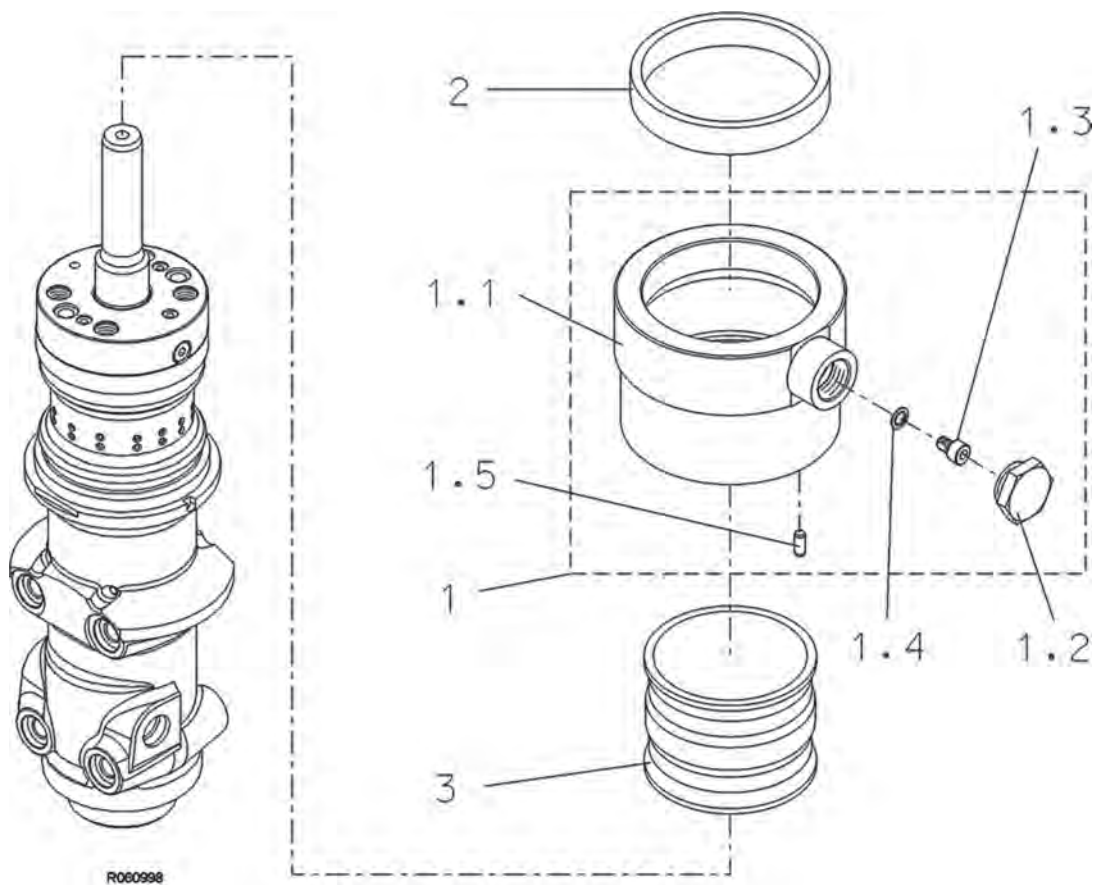
2. VALVE BODY AND DISTRIBUTOR



**VALVE BODY AND DISTRIBUTOR**

Item	Description	Part no.	Specification	Note	Qty
1	Cover (incl. part 1.2)	H00158511			1
1.2	Plug	H00915028			1
4	O-ring	H00090044	D50	*	1
5	Seal	H00951623			2
6	Seal	H00156206		*	1
7	Valve body (incl. parts 7.2-7.3)	H00159340			1
7.2	Plug	H00915028			1
7.3	Flange plug	H00090403	R1/4		1
8	Distributor	H00158921			1
9	Steering ring	H00158924			1
10	O-ring	H00952237	D76	*	1
11	O-ring	H00094045	D70	*	1
12	O-ring	H00901135	D17	*	2
13	O-ring	H00901199	D9	*	4
14	Parallel pin	H00090371	6m6x18 ISO 8734		1
15	Hex. socket screw	H00951613	M20x160-10.9 ISO 4762		4
16	Lock washer	H00091010	M20 NORD-LOCK		4
17.1	Nozzle kit 1	H00166400	Incl. nozzles D3.4, D3.6, D3,8and D4.0		1
17.2	Nozzle kit 2	H00166392	Incl. nozzles D4.2, D4.4, D4.6and D4.8		1
17.3	Nozzle kit 3	H00166407	Incl. nozzles D5.0, D5.2 andD0		1
18	O-ring	H00090030	D75	*	1
	*) Are included in seal set				

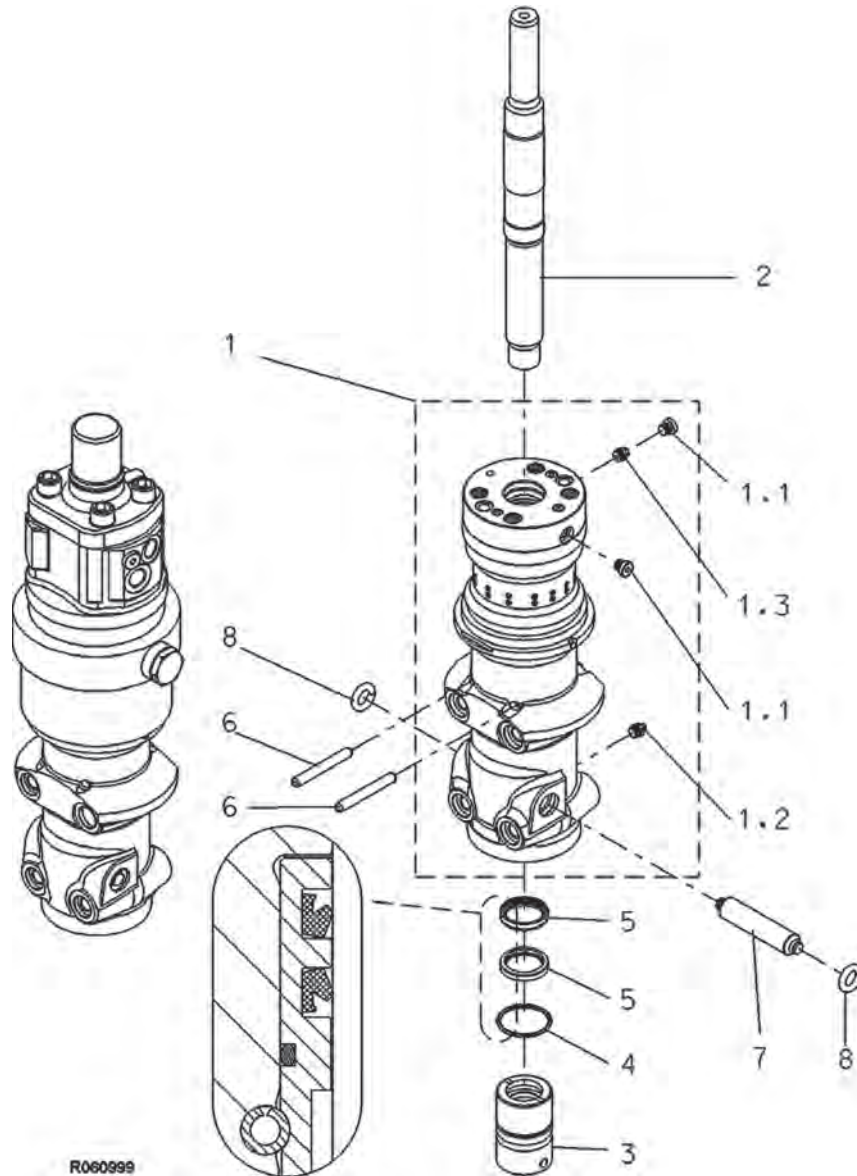
3. ACCUMULATOR



Item	Description	Part no.	Specification	Note	Qty
1	Accumulator (incl. parts 1.1-1.5)	H00159889			1
1.1	Body	H00155376			1
1.2	Shield plug	H00400300			1
1.3	Filling plug	H00042074			1
1.4	Usit-ring	H00090056	8-13.9-1	*	1
1.5	Split pin	H00090327	6x17 ISO 8750		1
2	Support ring	H00157619			1
3	Membrane	H00113062			1
	*) Are included in seal				

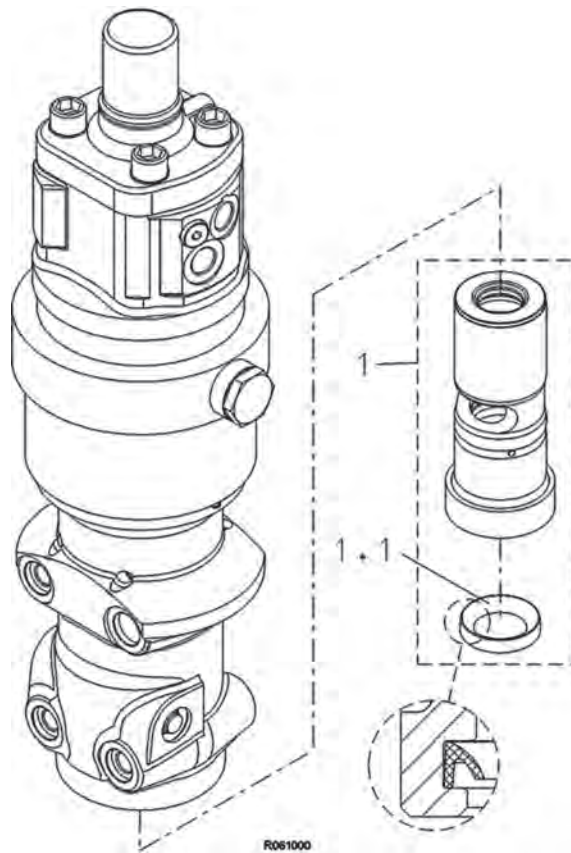


**4. BODY PARTS**



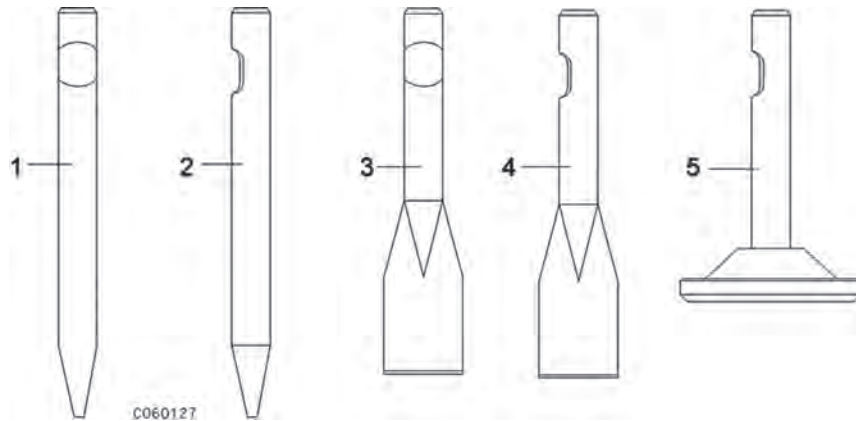
Item	Description	Part no.	Specification	Note	Qty
1	Cylinder (incl. parts 1.1-1.3)	H00158920			1
1.1	Flange plug	H00093203	R1/8		2
1.2	Grease nipple	H00090201	R1/8		1
1.3	Nozzle	H00101466			1
2	Piston	H00158922			1
3	Seal carrier	H00155369			1
4	O-ring	H00090038	D57	*	1
5	Seal	H00950059		*	2
	*) Are included in seal				

5. LOWER TOOL BUSHING



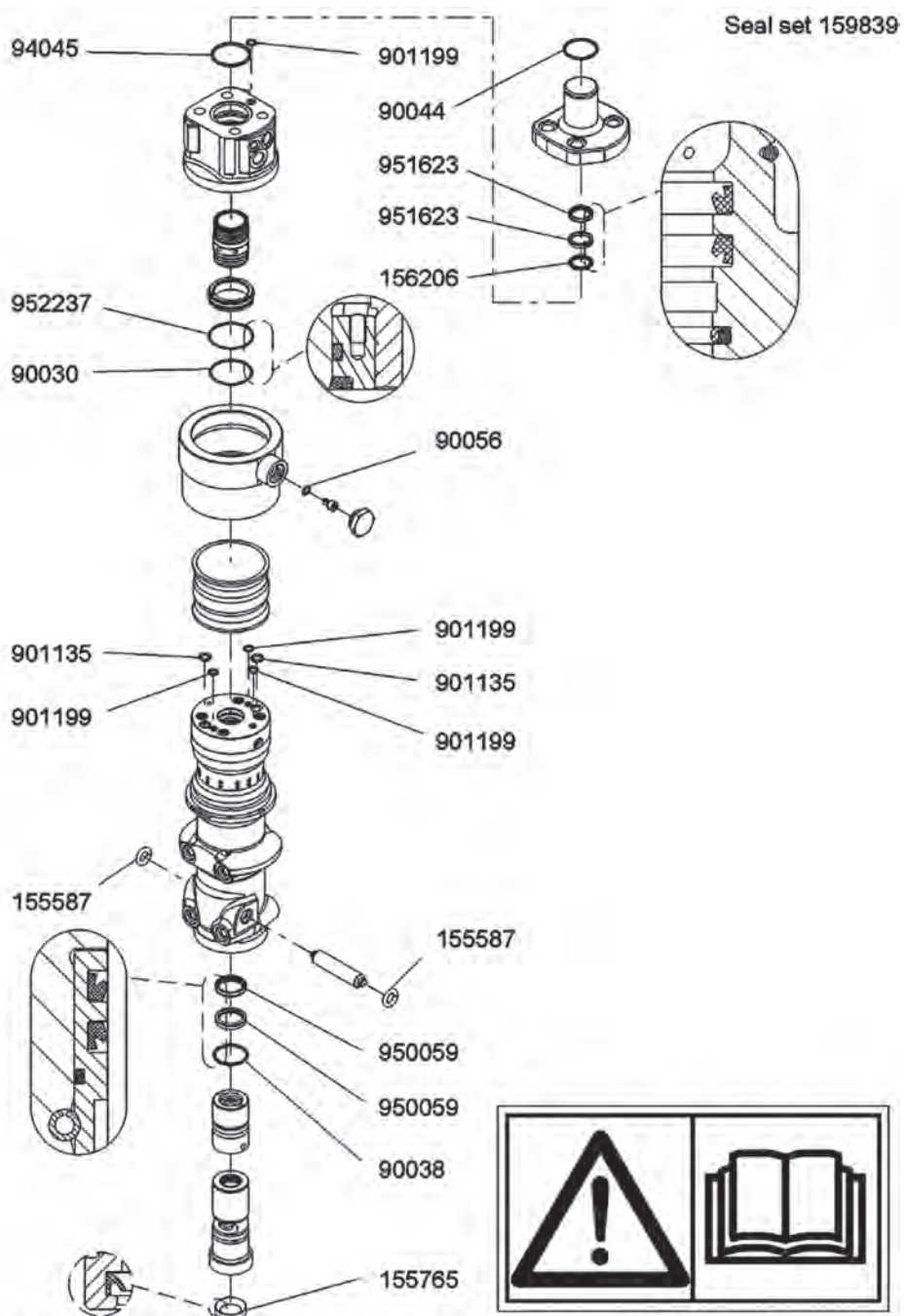
Item	Description	Part no.	Specification	Note	Qty
1	Lower tool bushing (incl. part 1.1)	H00156275			1
1.1	Seal	H00155765		*	1
	*) Are included in seal set				

## 5. TOOL



Item	Description	Part no.	Specification	Note	Qty
1	Chisel	H000BH801	L = 490 mm, W = 7.1 kg, D = 50 mm		1
2	Moil point	H000BH803	L = 490 mm, W = 6.8 kg, D = 50 mm		1
3	Spade, parallel to boom	H000BH805	L = 490 mm, W = 6.8 kg, Width = 115 mm		1
4	Spade, transverse to boom	H000BH806	L = 490 mm, W = 6.8 kg, Width = 115 mm		1
5	Compacting plate	H000BH807	L = 437 mm, W = 11.7 kg, Plate D = 180 mm		1

7. SEAL SET



This summary only indicates the position of the seals. It must NOT be used as assembly instruction. Read the manual.

R060861

Item	Description	Part no.	Specification	Note	Qty
Kit	Seal set (incl. parts 1-13)	H00159839			1
1	O-ring	H00090038	D57		1
2	Seal	H00950059			2
3	O-ring	H00090044	D50		1
4	Seal	H00951623			2
5	Seal	H00156206			1
6	O-ring	H00952237	D76		1
7	O-ring	H00094045	D70		1
8	O-ring	H00901135	D17		2
9	O-ring	H00901199	D9		4
10	O-ring	H00090030	D75		1
11	Usit-ring	H00090056	8-13.9-1		1
12	Seal	H00155765			1
13	Rubber ring	H00155587			2

