

---

**PARTS MANUAL**  
ver. 1.1  
PMHB20ENG.100512

# **HYDRAULIC BREAKER HAMMER HB 20**

Serial No.  
TRK200005-UP

---

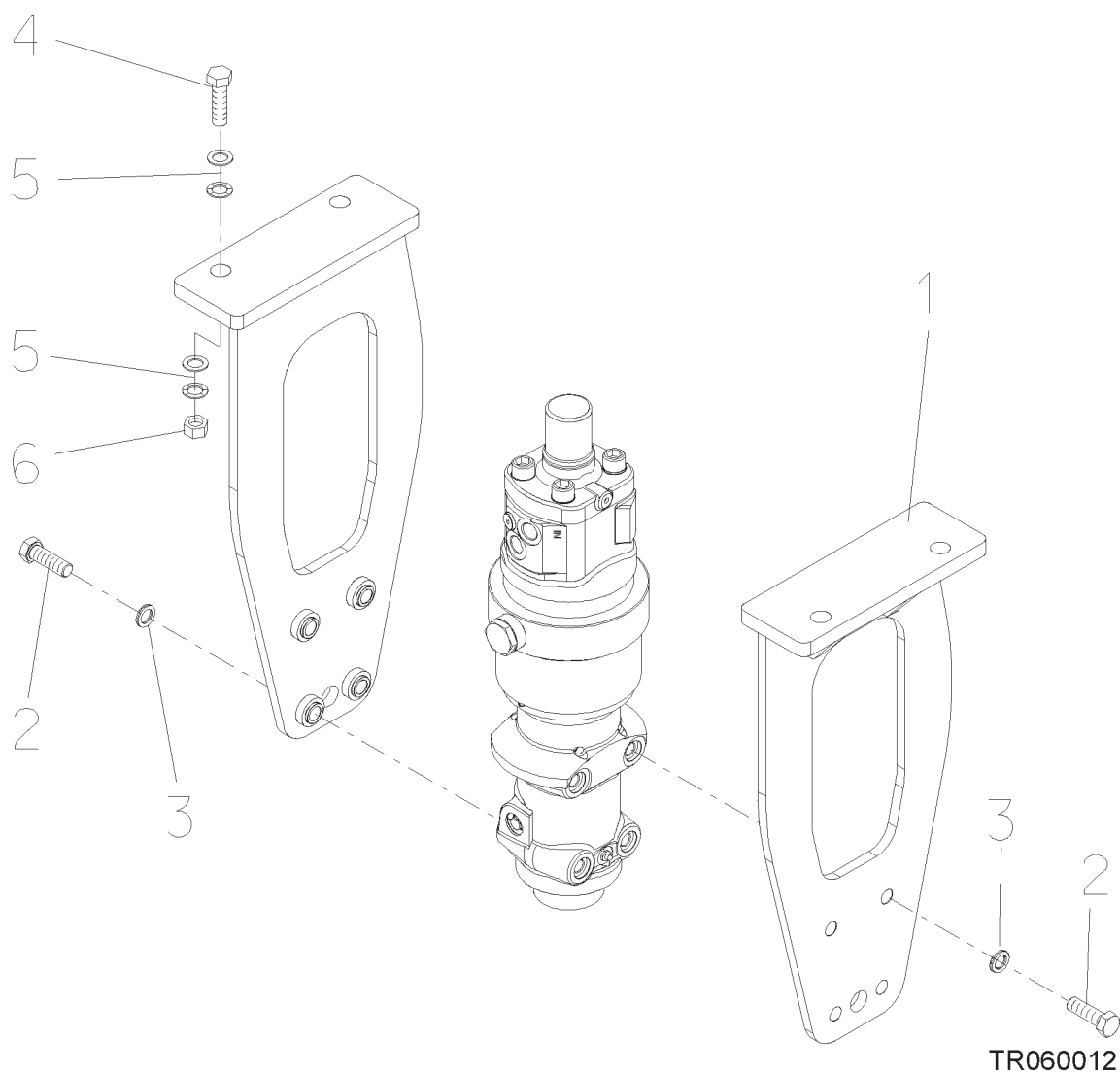
## TABLE OF CONTENTS

1. Housing unit.....	4
2. Valve body and distributor .....	5
3. Accumulator.....	7
4. Body parts.....	8
5. Lower tool bushing.....	9
6. Tool .....	10
7. Seal set .....	11

# PARTS

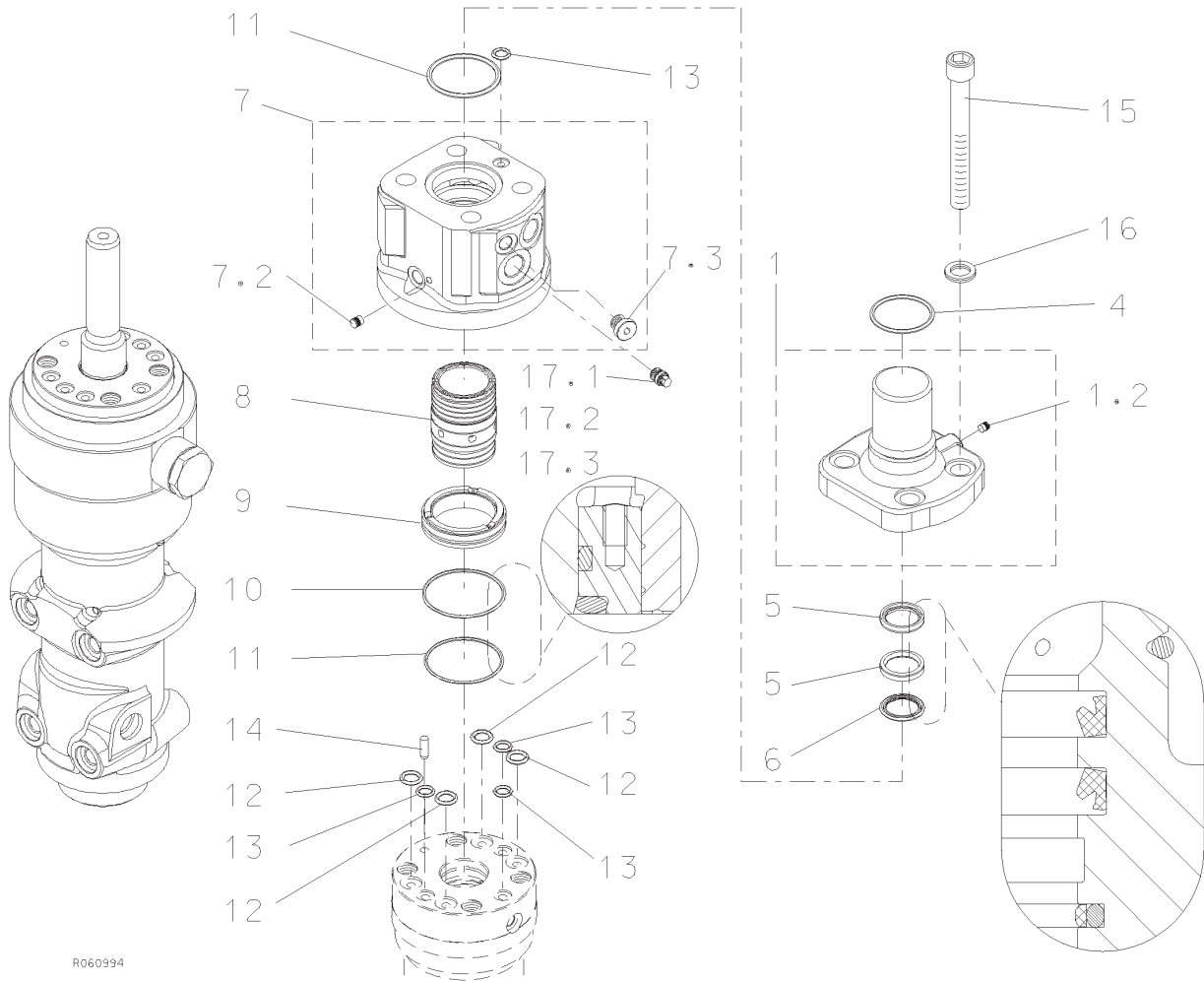
## HOUSING UNIT

### 1. HOUSING UNIT



Item	Description	Part no.	Specification	Note	Qty
1	Housing plates	H00170653			1
2	Hex. screw	H00900010	M16x50-10.9 ISO 4017		8
3	Lock washer	H00090597	M16 NORD-LOCK		8
4	Hex. screw	H00091027	M20x70-8.8 ISO 4014		4
5	Lock washer	H00091010	M20 NORD-LOCK		8
6	Nut	H00091017	M20-8 ISO 4032		4
20	Label set (incl. part 21)	H00170654			1
21	Safety label set	H00169555	Rus		1

2. VALVE BODY AND DISTRIBUTOR



R060994

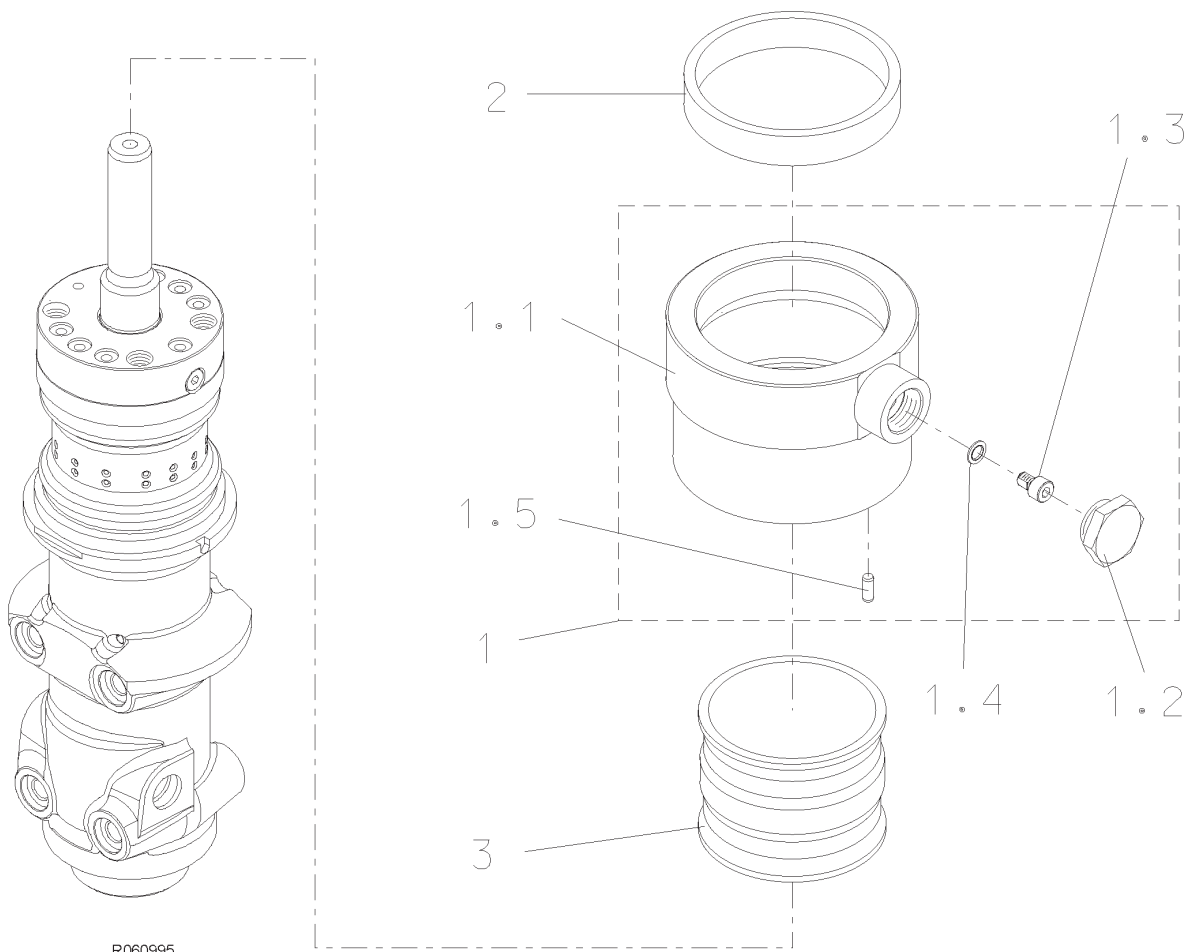
Item	Description	Part no.	Specification	Note	Qty
1	Cover (incl. part 1.2)	H00157206			1
1.2	Plug	H00915028			1
4	O-ring	H00090019	D49	*	
5	Seal	H00951966		*	
6	Seal	H00157208		*	1
7	Valve body (incl. parts 7.2-7.3)	H00157438			1
7.2	Plug	H00915028			1
7.3	Flange plug	H00090403	R1/4		1
8	Distributor	H00157205			1
9	Steering ring	H00157216			1
10	O-ring	H00952230	D63	*	1
11	O-ring	H00090083	D60	*	2
12	O-ring	H00090011	D14	*	4
13	O-ring	H00901199	D9	*	4

## VALVE BODY AND DISTRIBUTOR

---

14	Parallel pin	H00090371	6m6x18 ISO 8734		1
15	Hex. socket screw	H00951941	M16x140-10.9 ISO 4762		4
16	Lock washer	H00090597	M16 NORD-LOCK		4
17.1	Nozzle kit 1	H00166386	Incl. nozzles D2.3, D2.6, D2.9 and D0		1
17.2	Nozzle kit 2	H00166390	Incl. nozzles D3.2, D3.5, D3.8, D4.1 and D0		1
17.3	Nozzle kit 3	H00166395	Incl. nozzles D4.4, D4.7, D5.0 and D0		1
	* ) Are included in seal set				

3. ACCUMULATOR

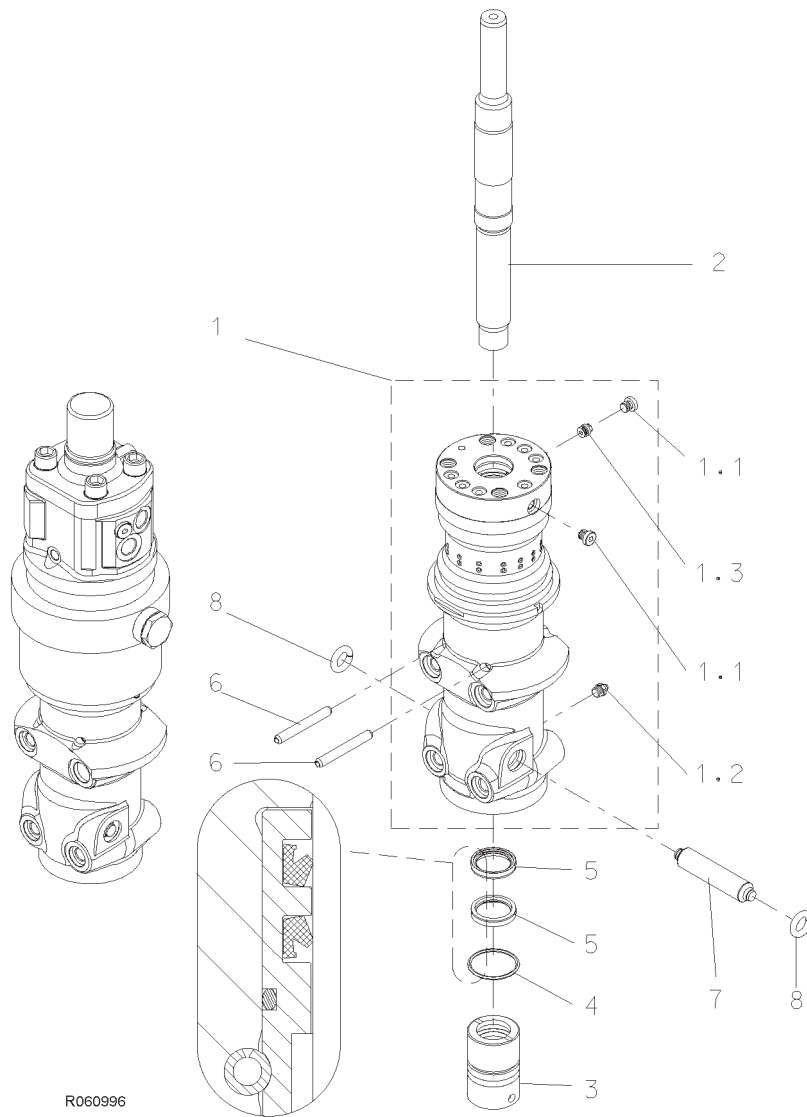


R060995

Item	Description	Part no.	Specification	Note	Qty
1	Accumulator (incl. parts 1.1-1.5)	159846			1
1.1	Body	H00157200			1
1.2	Shield plug	H00400300			1
1.3	Filling plug	H00042074			1
1.4	Usit-ring	H00090056	8-13.9-1	*	1
1.5	Split pin	H00090327	6x17 ISO 8750		1
2	Support ring	H00157215			1
3	Membrane	H00113061			1
	*) Are included in seal set				

**BODY PARTS**

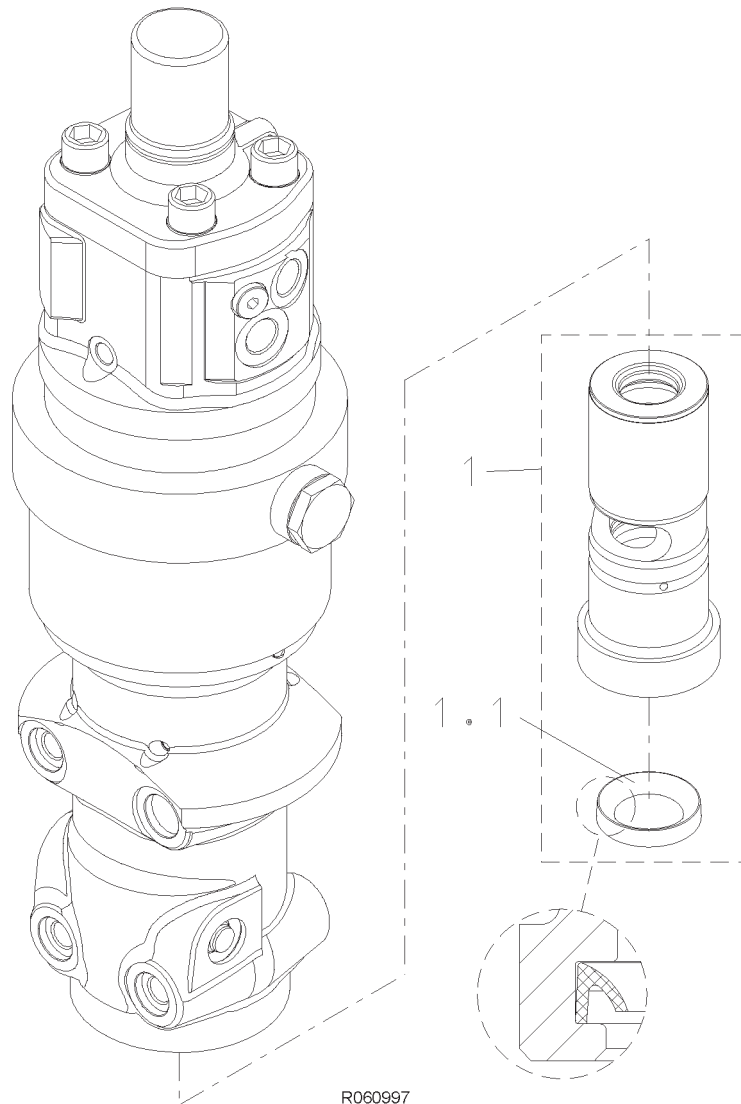
**4. BODY PARTS**



Item	Description	Part no.	Specification	Note	Qty
1	Cylinder (incl. parts 1.1-1.3)	H00159409			1
1.1	Flange plug	H00093203	R1/8		2
1.2	Grease nipple	H00090201	R1/8		1
1.3	Nozzle	H00159756			1
2	Piston	H00157199			1
3	Seal carrier	H00157198			1
4	O-ring	H00090019	D49	*	1
5	Seal	H00951369		*	2
6	Split pin	H00090338	8x80 ISO 8752		2
7	Tool retaining pin	H00159549			1
8	Rubber ring	H00157214		*	2
	*) Are included in seal set				



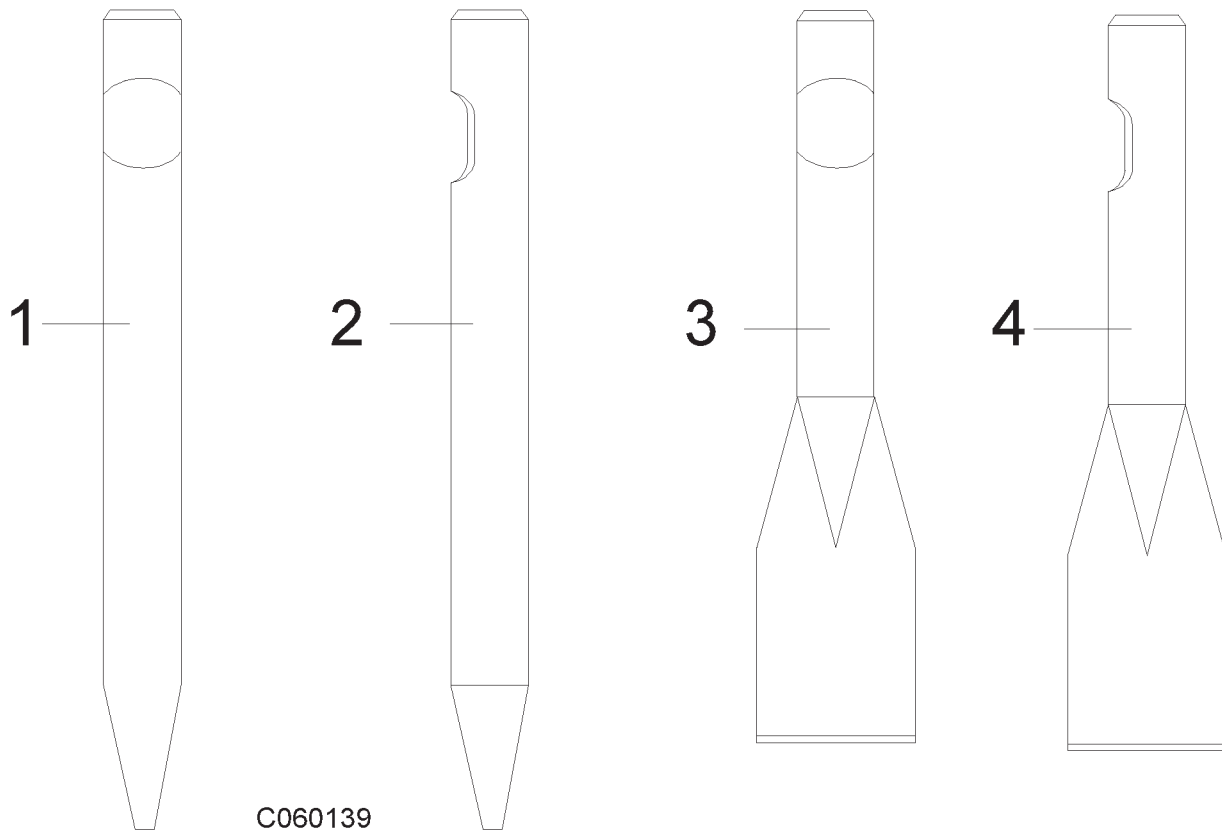
5. LOWER TOOL BUSHING



R060997

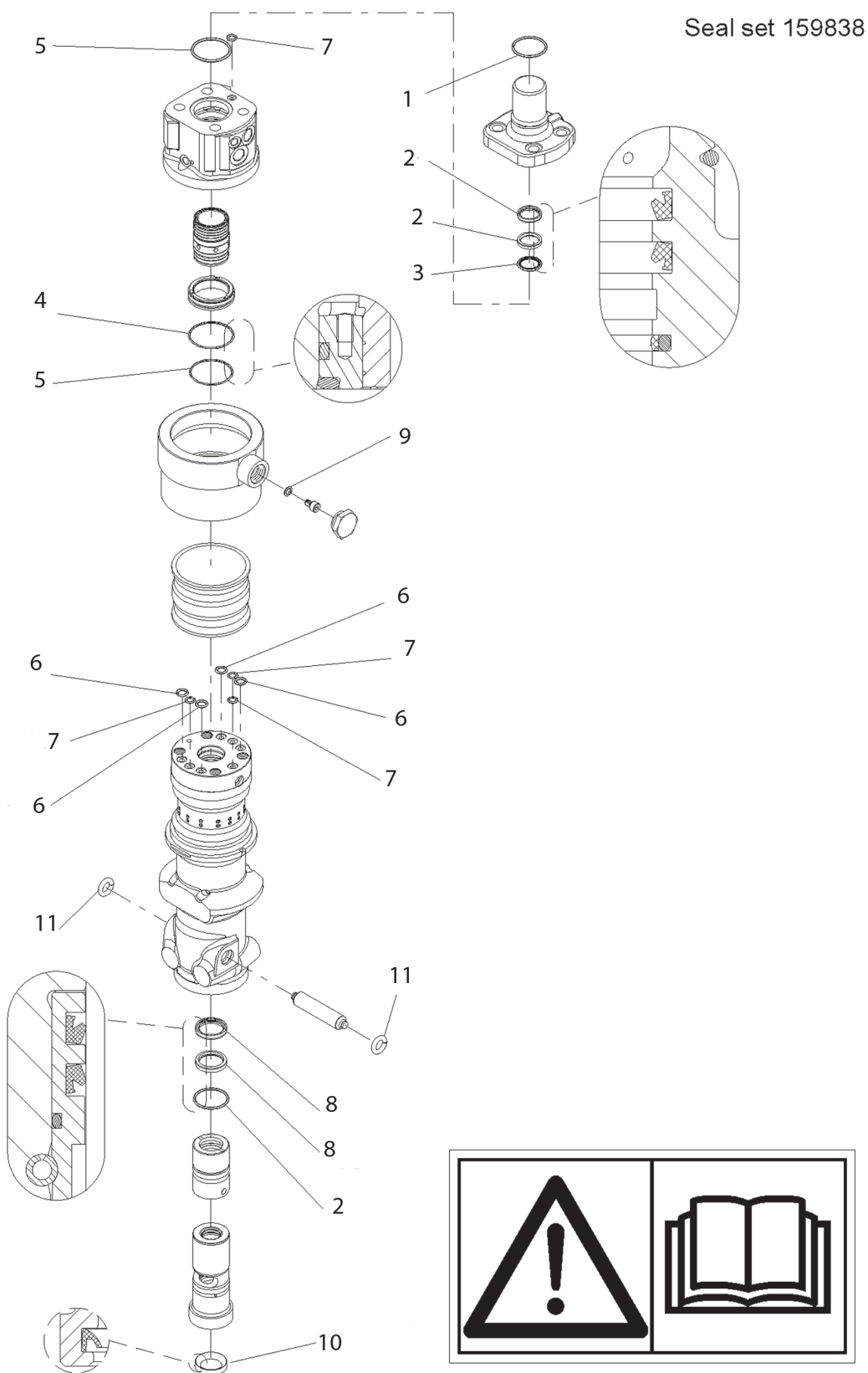
Item	Description	Part no.	Specification	Note	Qty
1	Lower tool bushing (incl. part 1.1)	H00159547			1
1.1	Seal	H00157211		*	1

**6. TOOL**



Item	Description	Part no.	Specification	Note	Qty
1	Chisel	H000BH601	L = 405 mm, W = 4.1 kg, D = 42 mm		1
2	Moil point	H000BH603	L = 408 mm, W = 3.9 kg, D = 42 mm		1
3	Spade, parallel to boom	H000BH605	L = 420 mm, W = 4.1 kg, Width = 100 mm		1
4	Spade, transverse to boom	H000BH606	L = 420 mm, W = 4.1 kg, Width = 100 mm		1

7. SEAL SET



This summary only indicates the position of the seals. It must NOT be used as assembly instruction. Read the manual.

R060860

Item	Description	Part no.	Specification	Note	Qty
Kit	Seal set (incl. parts 1-11)	H00159838			1
1	O-ring	H00090019	D49		2
2	Seal	H00951966			2
3	Seal	H00157208			1
4	O-ring	H00952230	D63		1
5	O-ring	H00090083	D60		2
6	O-ring	H00090011	D14		4
7	O-ring	H00901199	D9		4
8	Seal	H00951369			2
9	Usit-ring	H00090056	8-13.9-1		1
10	Seal	H00157211			1
11	Rubber ring	H00157214			2

---

