
PARTS MANUAL
ver. 1.1
PMHB10ENG.100512

HYDRAULIC BREAKER HAMMER HB 10

Serial No.
TRK100005-UP

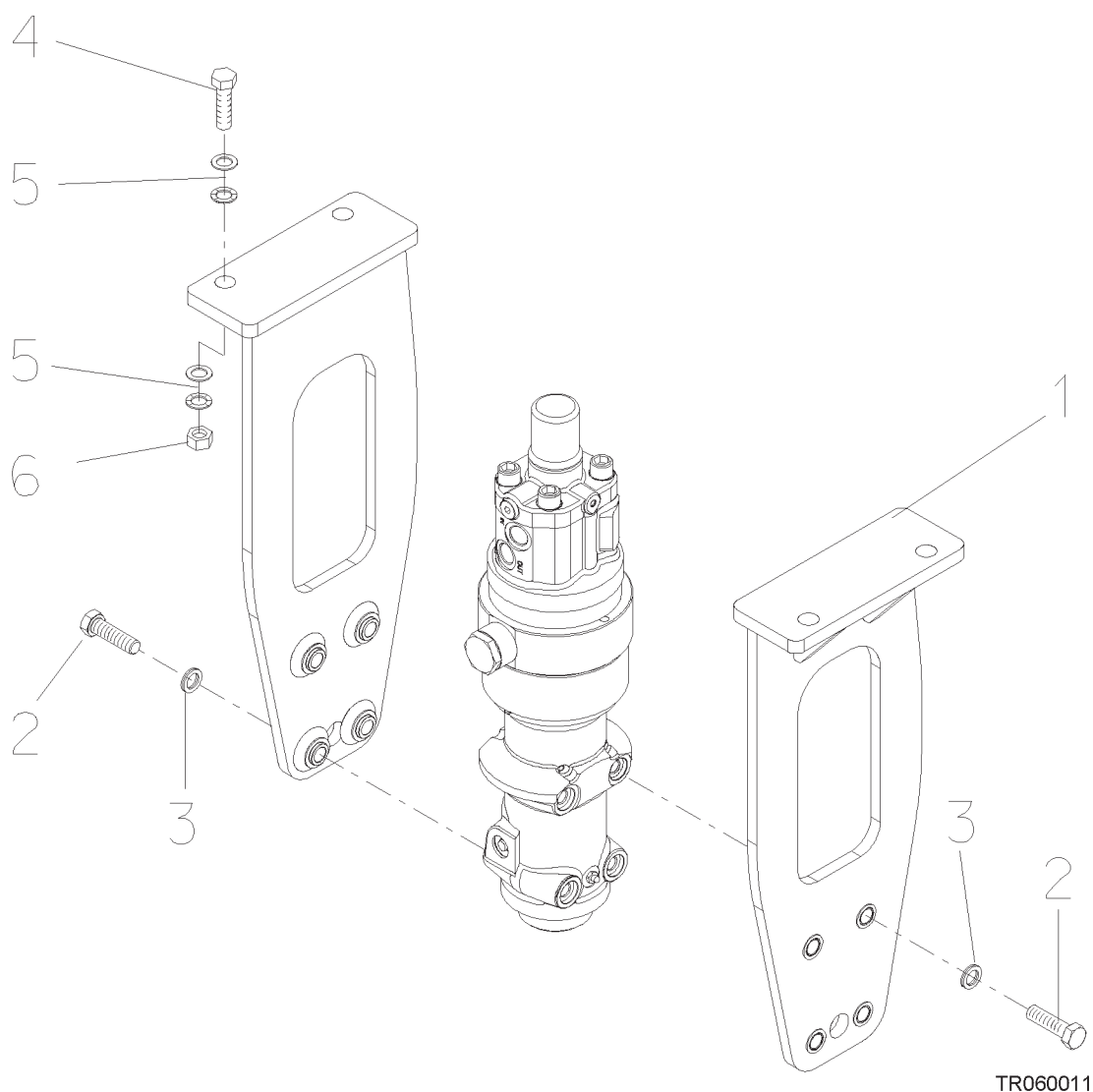
TABLE OF CONTENTS

1. Housing unit.....	4
2. Valve body and distributor	5
3. Accumulator.....	7
4. Body parts.....	8
5. Lower tool bushing.....	9
6. Tool	10
7. Seal set	11

PARTS

HOUSING UNIT

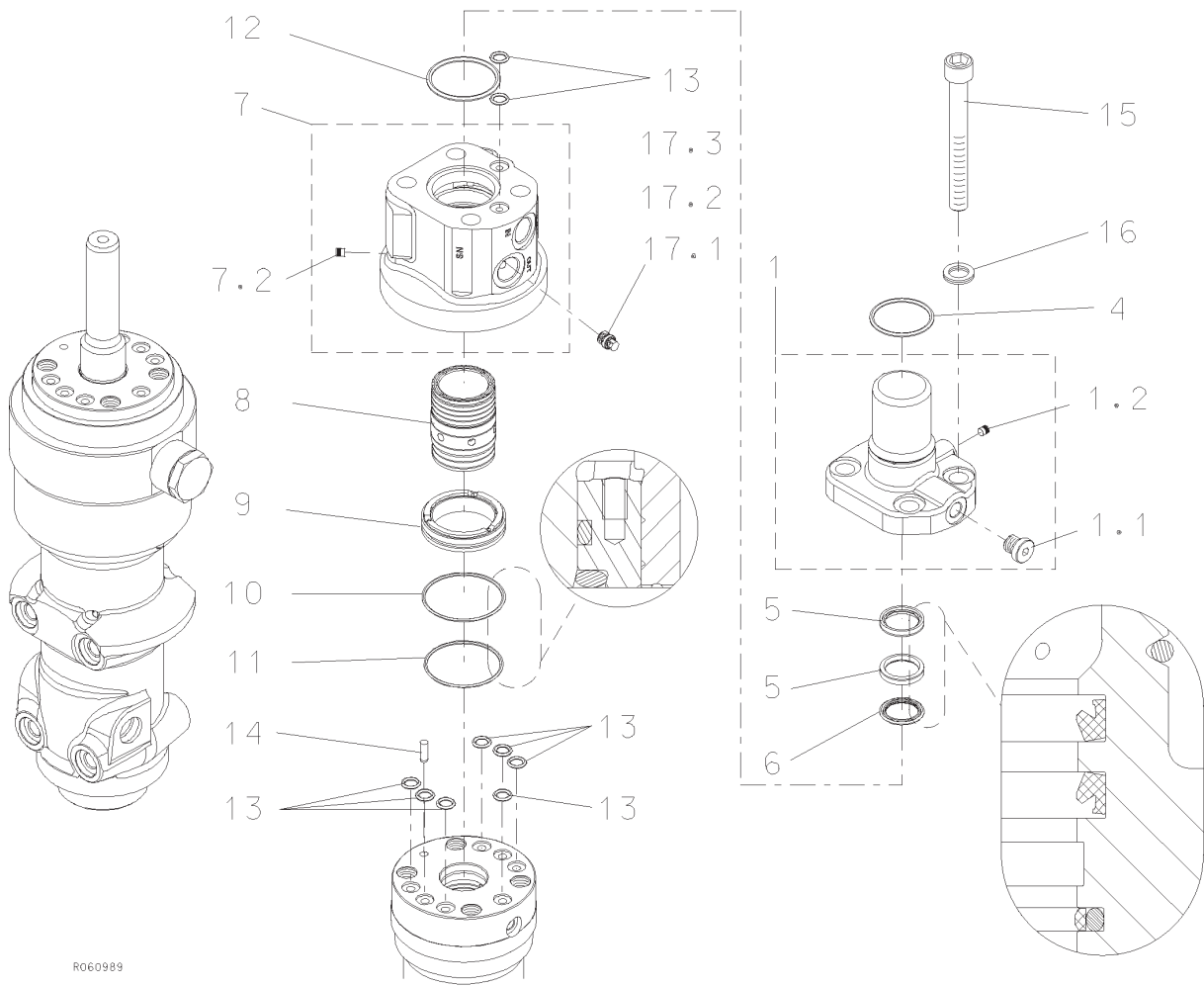
1. HOUSING UNIT



TR060011

Item	Description	Part no.	Specification	Note	Qty
1	Housing plates	H00170651			1
2	Hex. screw	H00952075	M14x50-10.9 ISO 4017		8
3	Lock washer	H00901310	M14 NORD-LOCK		8
4	Hex. screw	H00090544	M16x60-8.8 ISO 4762		4
5	Lock washer	H00090597	M16 NORD-LOCK		8
6	nut	H00091000	M16-8 ISO 4032		4
20	Label set (incl. part 21)	H00170652			1
21	Safety label set	H00169555			1

2. VALVE BODY AND DISTRIBUTOR



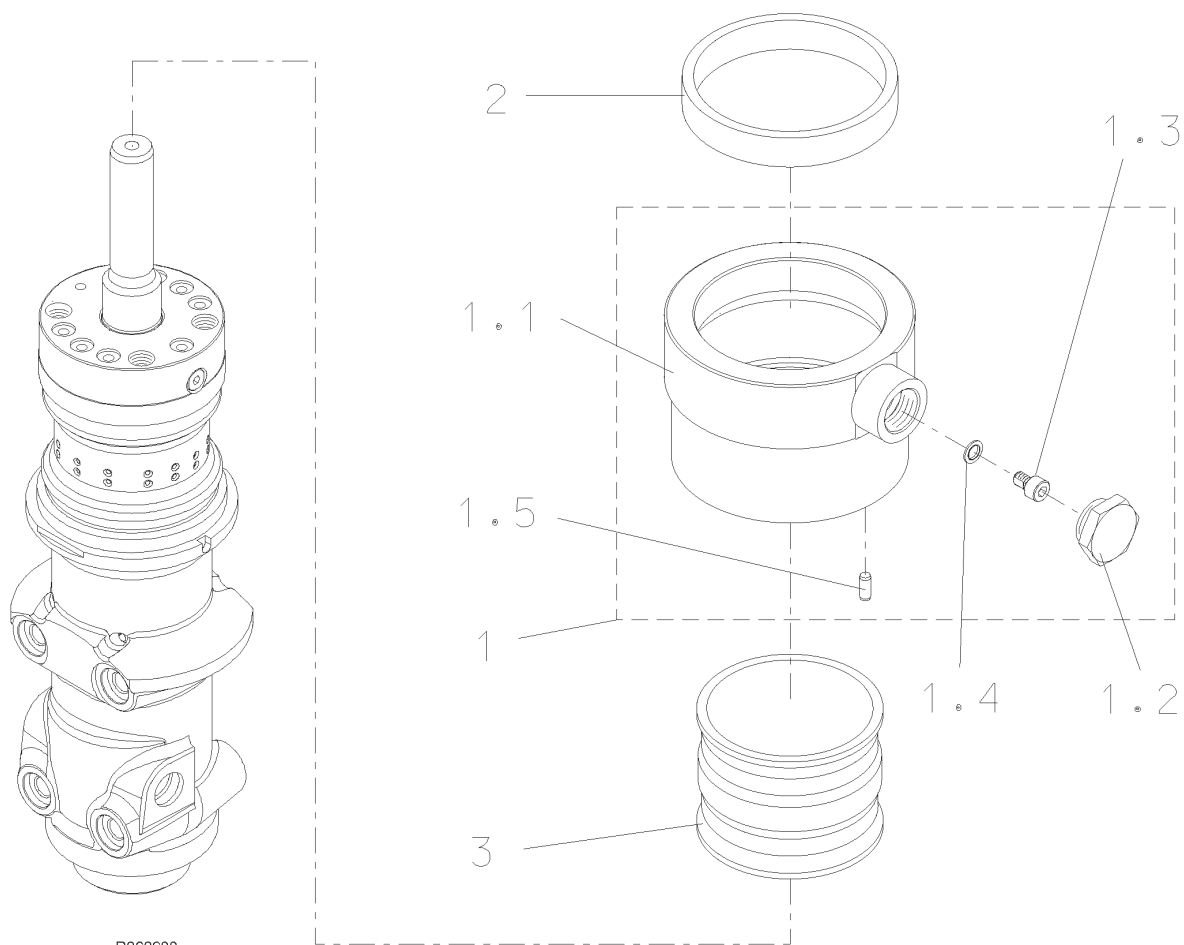
RO60989

Item	Description	Part no.	Specification	Note	Qty
1	Cover (incl. parts 1.1-1.2)	H00157829			1
1.1	Flange plug	H00090403	R1/4		1
1.2	Plug	H00915028			1
4	O-ring	H00910019	042	*	1
5	Seal	H00952061		*	2
6	Seal	H00157831		*	1
7	Valve body (incl. part 7.2)	H00157818			1
7.2	Plug	H00915028			1
8	Distributor	H00157828			1
9	Steering ring	H00157839			1
10	O-ring	H00952229	D58	*	1
11	O-ring	H00094038	D55	*	1
12	O-ring	H00090044	D50	*	1
13	O-ring	H00901199	D9	*	9
14	Parallel pin	H00090371	6m6x18 ISO 8734		1

VALVE BODY AND DISTRIBUTOR

15	Hex. socket screw	H00952241	M14x120-10.9 ISO 4762		4
16	Lock washer	H00901310	M14 NORD-LOCK		4
17.1	Nozzle kit 1	H00166373	Incl. nozzles D2.0, D2.2, D2.4 and D0		1
17.2	Nozzle kit 2	H00166378	Incl. nozzles D2.6, D2.8, D3.0, D3.2 and D0		1
17.3	Nozzle kit 3	H00166381	Incl. nozzles D3.4, D3.6, D3.8 and D0		1
	*) Are included in seal set				

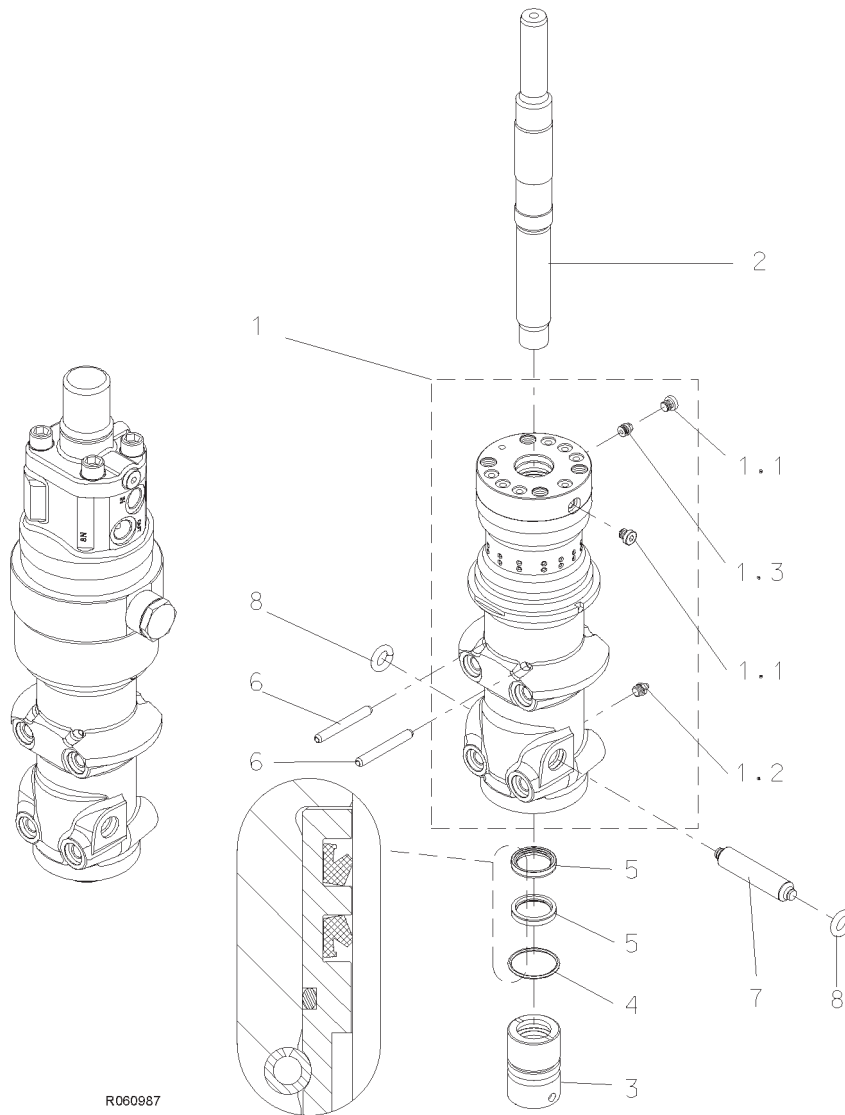
3. ACCUMULATOR



R060988

Item	Description	Part no.	Specification	Note	Qty
1	Accumulator (incl. parts 1.1-1.5)	H00159816			1
1.1	Body	H00157823			1
1.2	Shield plug	H00400300			1
1.3	Filling plug	H00042074			1
1.4	Usit-ring	H00090056	8-13.9-1		1
1.5	Split pin	H00090327	6x17 ISO 8750 A	*	1
2	Support ring	H00157827			1
3	Membrane	H00157850			1

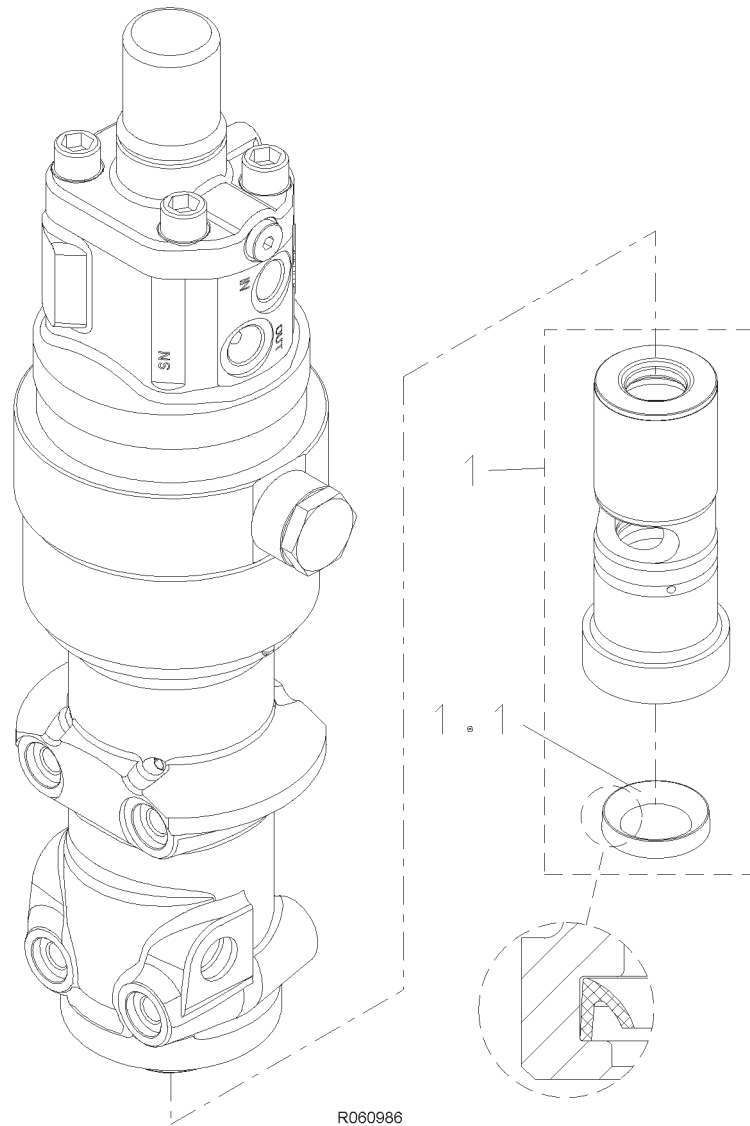
4. BODY PARTS



R060987

Item	Description	Part no.	Specification	Note	Qty
1	Cylinder (incl. parts 1.1-1.3)	H00159398			1
1.1	Flange plug	H00093203	R1/8		2
1.2	Grease nipple	H00090201	R1/8		1
1.3	Nozzle	H00159756			1
2	Piston	H00157822			1
3	Seal carrier	H00157821			1
4	O-ring	H00910019	D42	*	1
5	Seal	H00952060		*	2
6	Split pin	H00952065	8x70 ISO 8752		2
7	Tool retaining pin	H00159514			1
8	Rubber ring	H00157837		*	2

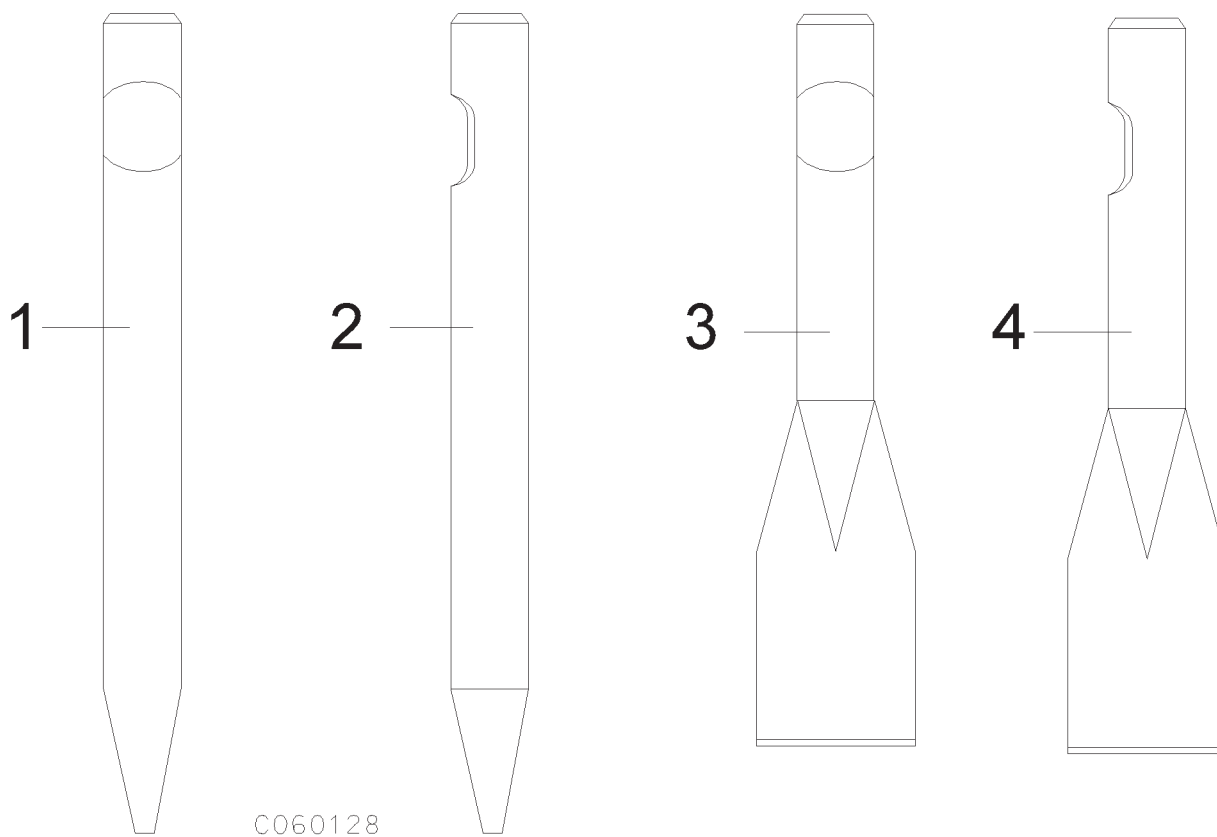
5. LOWER TOOL BUSHING



R060986

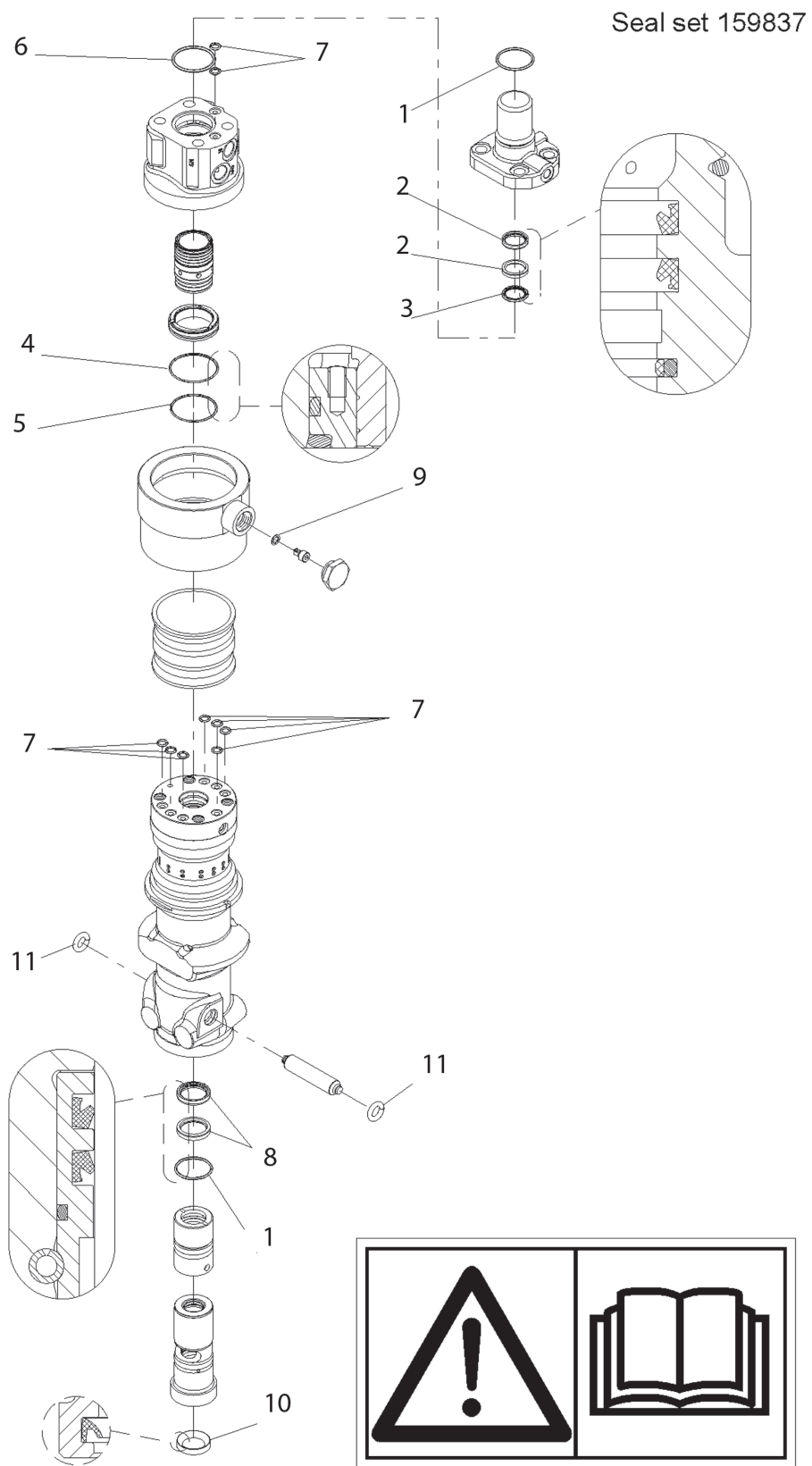
Item	Description	Part no.	Specification	Note	Qty
1	Lower tool bushing (incl. part 1.1)	H00159513			1
1.1	Seal	H00157834		*	1

6. TOOL



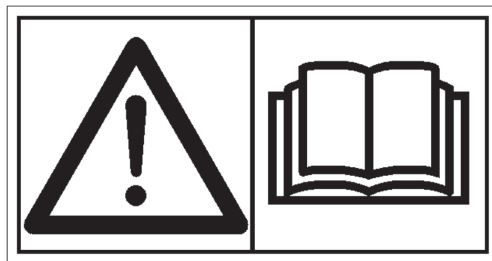
Item	Description	Part no.	Specification	Note	Qty
1	Chisel	H000BH401	L = 360 mm, W = 2.7 kg, D = 36 mm		1
2	Moil point	H000BH403	L = 360 mm, W = 2.6 kg, D = 36 mm		1
3	Spade, parallel to boom	H000BH405	L = 380 mm, W = 3.2 kg, Width = 100 mm		1
4	Spade, transverse to boom	H000BH406	L = 380 mm, W = 3.2 kg, Width = 100 mm		1

7. SEAL SET



This summary only indicates the position of the seals. It must NOT be used as assembly instruction. Read the manual.

R060859



H00

Item	Description	Part no.	Specification	Note	Qty
Kit	Seal set (incl. parts 1-11)	H00159837			1
1	O-ring	H00910019	D42		2
2	Seal	H00952061			2
3	Seal	H00157831			1
4	O-ring	H00952229	D58		1
5	O-ring	H00094038	D55		1
6	O-ring	H00090044	D50		1
7	O-ring	H00901199	D9		9
8	Seal	H00952060			2
9	Usit-ring	H00090056	8-13.9-1		1
10	Seal	H00157834			1
11	Rubber ring	H00157837			2
